

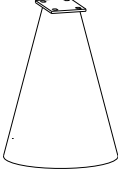

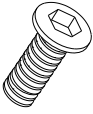
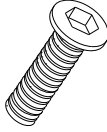
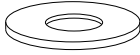
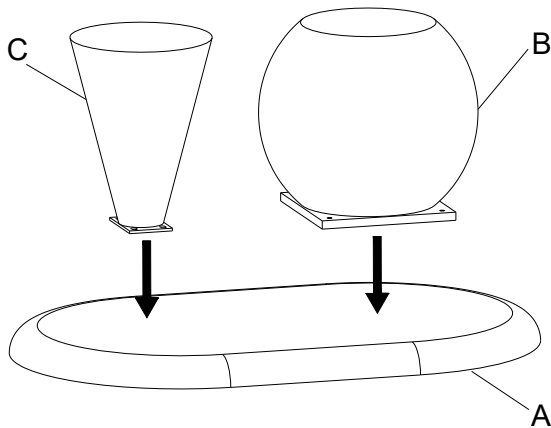


Ax1 	Bx1 	Cx1 		
Dx1 	Ex4 	Fx4 	Gx8 	EXTRA HARDWARE Ex2 Gx2 Fx2

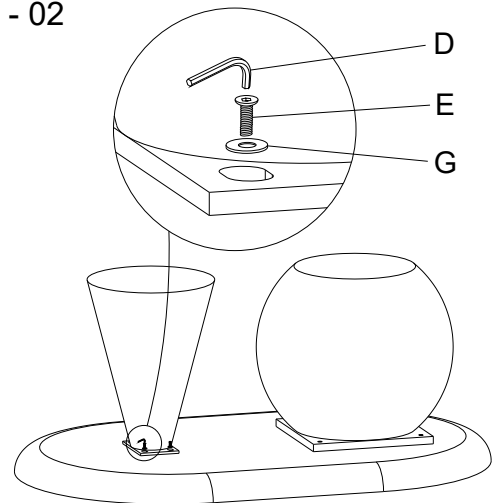
Note

- EN: 1. Please do not tight any bolt unless all bolts are fixed at their respective places.
2. After fixing the bolts tighten them simultaneously.
3. Matching Parts Bolt (example A to A)
4. Two person assembly required.

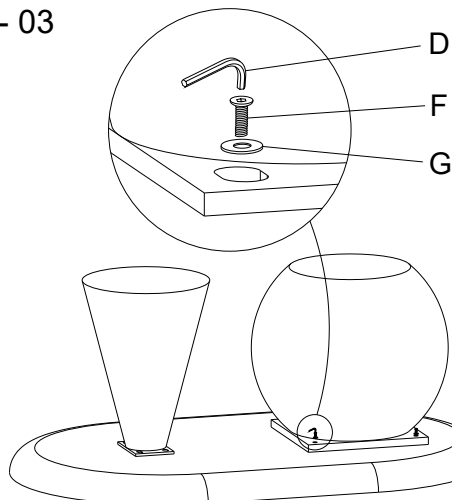
STEP - 01



STEP - 02



STEP - 03



FINAL STEP

