

ASSEMBLY INSTRUCTIONS

Mirror

Thank you for purchasing this product. Please take time to read and follow the instructions below. Check that you have all parts and hardware before assembly. Parts apparently missing are often found in the packing materials. If you do not have all the parts listed, have your dealer contact us and they will be sent to you immediately.



It is recommended to install protective pads under all legs and supports to avoid damage or scratches when placing furniture on a wood floor or other hard surface, and to limit indentation and prevent discoloration if placing on carpet.

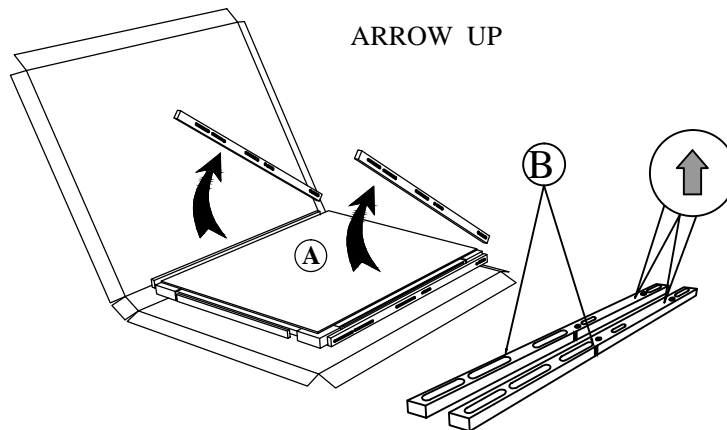
NOTE: Anti tipping hardware kit comes with this product. Please refer to the installation instruction in the hardware pack. Anti-tipping hardware pack is located inside the top drawer

PART LIST			
NO	COMPONENT	SKETCH	QTY
A	MIRROR		1 PC
B	MIRROR SUPPORT		2 PCS
C	DRESSER		1 PC

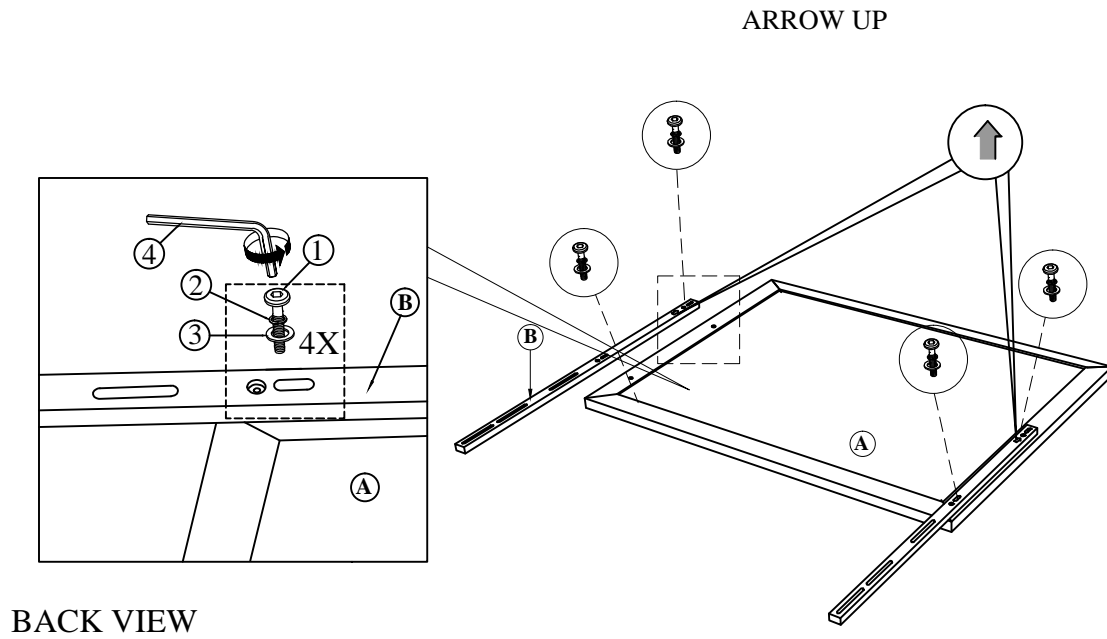
HARDWARE LIST				
NO	DESCRIPTION	SKETCH	SIZE	QTY
1	JCBC BOLT		M6 x 35MM	8 PCS
2	SPRING WASHER		1/4" x 2mm(Thickness)	8 PCS
3	FLAT WASHER		1/4" ID x 19mmOD BLK 1mm(Thickness)	8 PCS
4	ALLEN KEY		M4 x 65MM	1 PC

STEP 1

Draw out mirror support (B) from the carton box.



STEP 2



STEP 3

