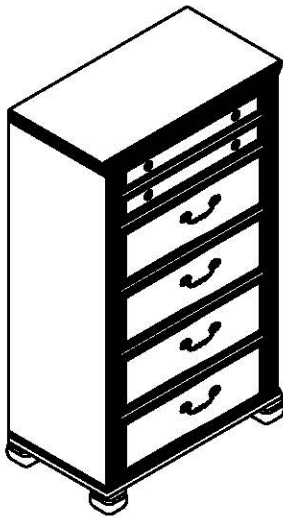


# ASSEMBLY INSTRUCTIONS

Caution: Please read instructions thoroughly before unpacking assembly parts. Sharp, exposed staple tips can cause injury. Therefore, for your protection, please remove any exposed staple used in packing.

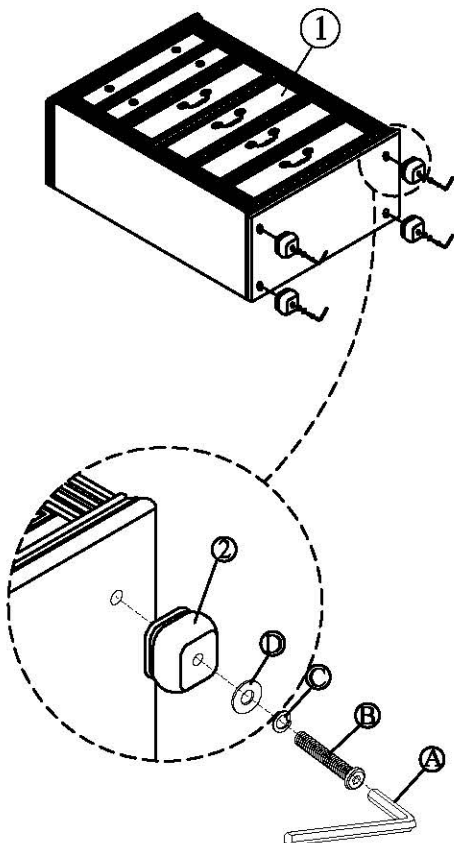
1. Two people are required to safely assemble this product.
2. Be sure to check all hardware in case that small parts may come loose inside the carton during shipment.
3. Please do not over tighten screws or bolts.
4. Please unpack the box and place the contents on a flat, level and soft surface.



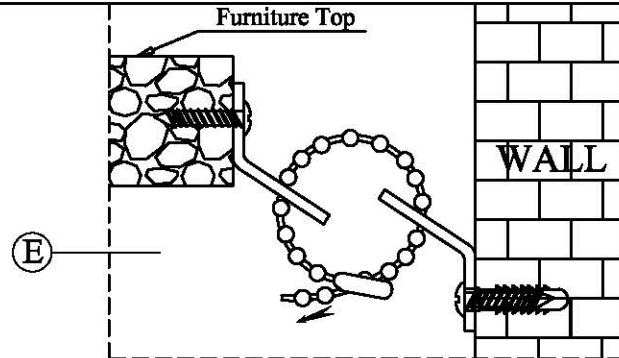
PART LISTS			
PARTS	DESCRIPTION	SKETCH	Q"TY
1	Dresser		1PC
2	Legs		4PCS

HARD WARE PACK			
A	ALLEN KEY		1PC
B	JCBC BOLT Ø5/16"×62mm		4PCS
C	SPRING WASHER Ø5/16"Ø12mm		4PCS
D	FLAT WASHER Ø5/16"Ø16 mm		4PCS
E	Tipping restraint		1PC

## STEP 1



Furniture Top



WALL

## STEP 2

