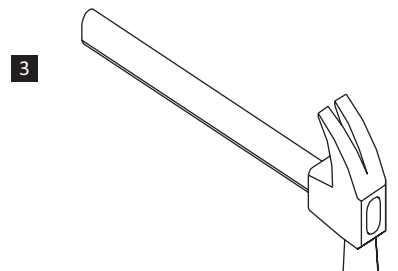
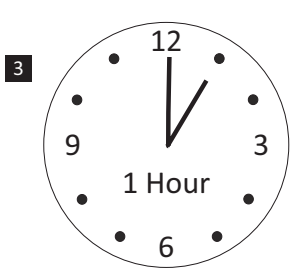
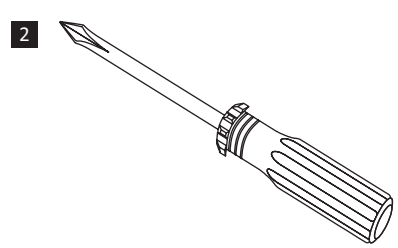
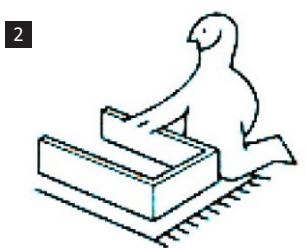
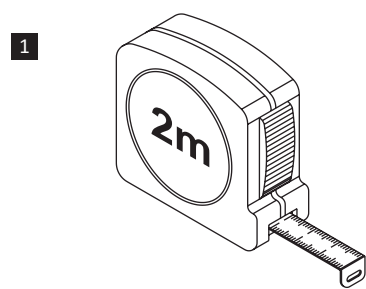
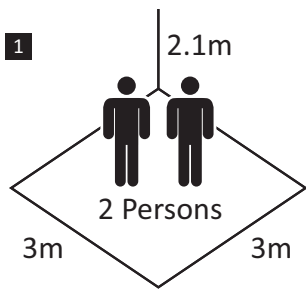
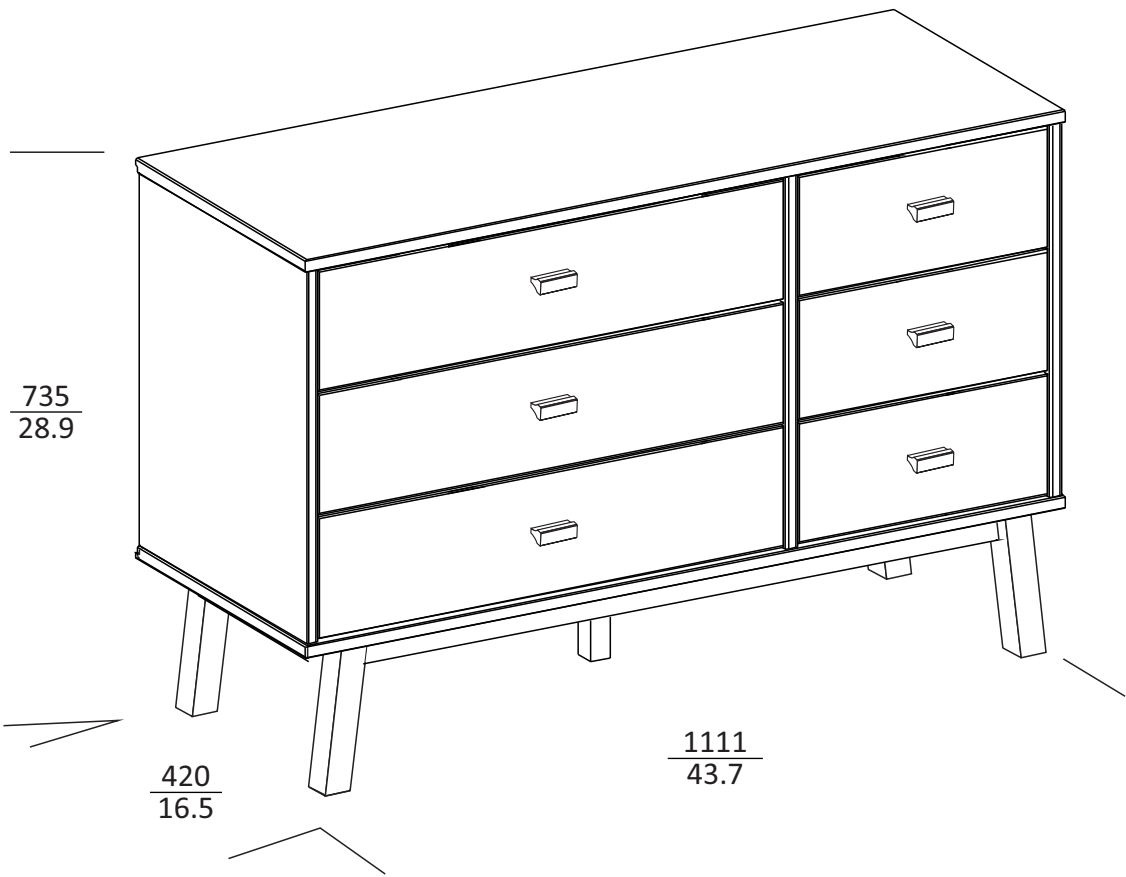
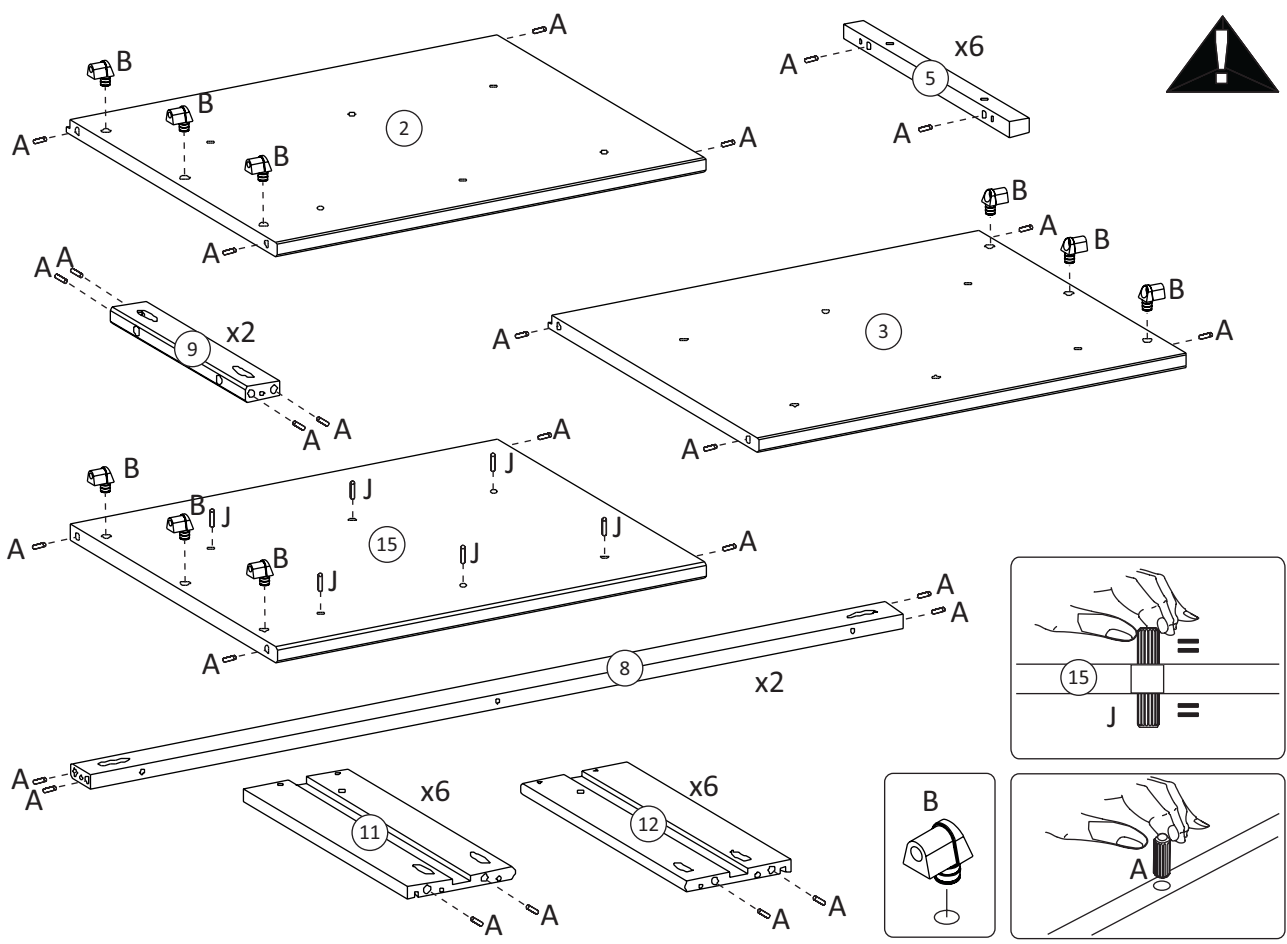


mm
inch

<p>Ax88</p> <p>8x $\frac{30}{1.1}$</p>	<p>Bx9</p>	<p>Cx80</p> <p>3.5x $\frac{30}{1.2}$</p>	<p>Dx24</p> <p>3x $\frac{30}{1.2}$</p>	<p>Ex9</p> <p>4x $\frac{25}{1.0}$</p>	<p>Fx9</p> <p>4x $\frac{40}{1.6}$</p>
<p>Gx1</p>	<p>Hx28</p> <p>$\frac{10 \times 10}{0.4 \times 0.4}$</p>	<p>Ix5</p> <p>7x $\frac{50}{2.0}$</p>	<p>Jx6</p> <p>8x $\frac{50}{1.9}$</p>	<p>Yx1</p>	

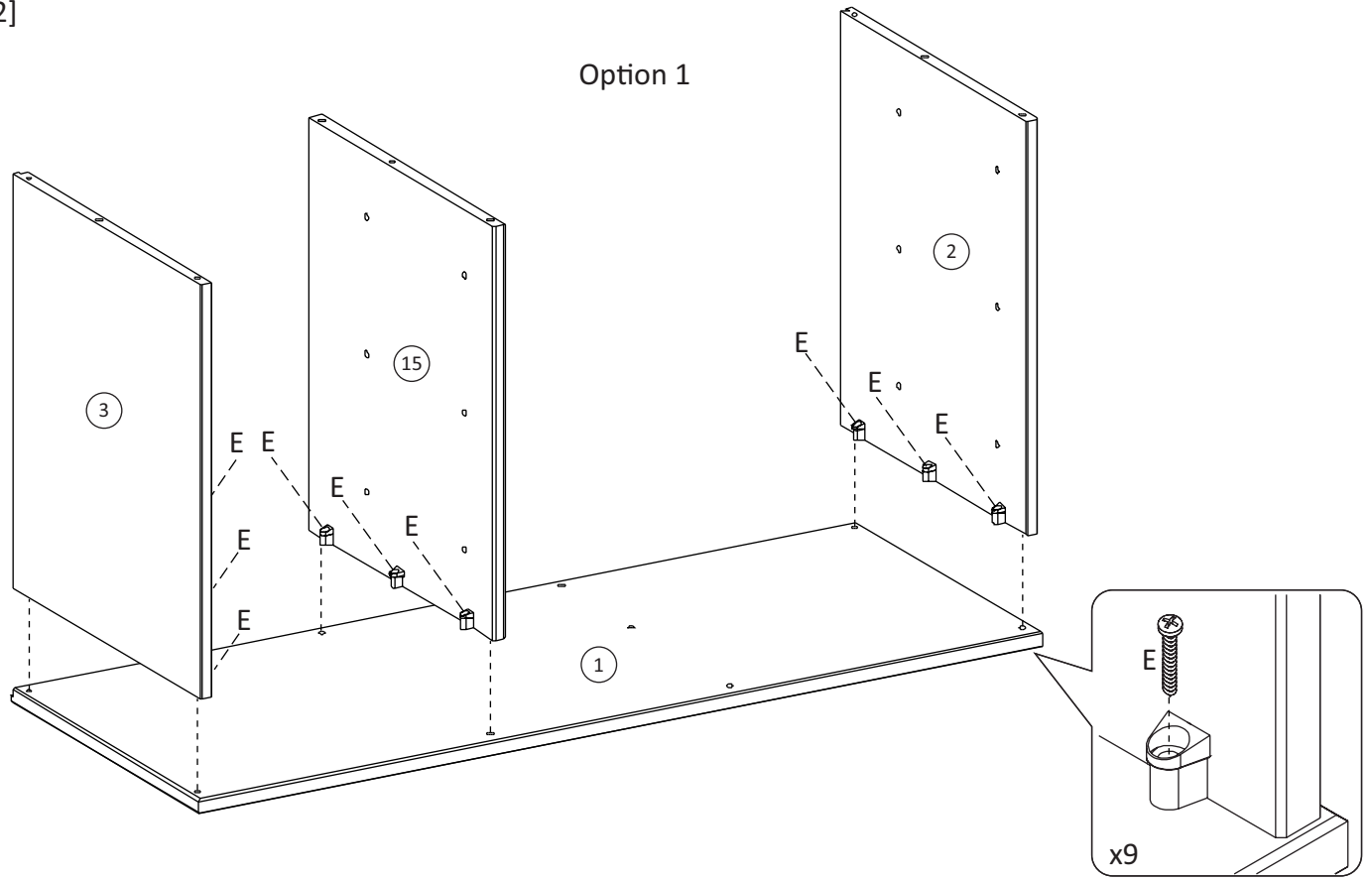


[1]

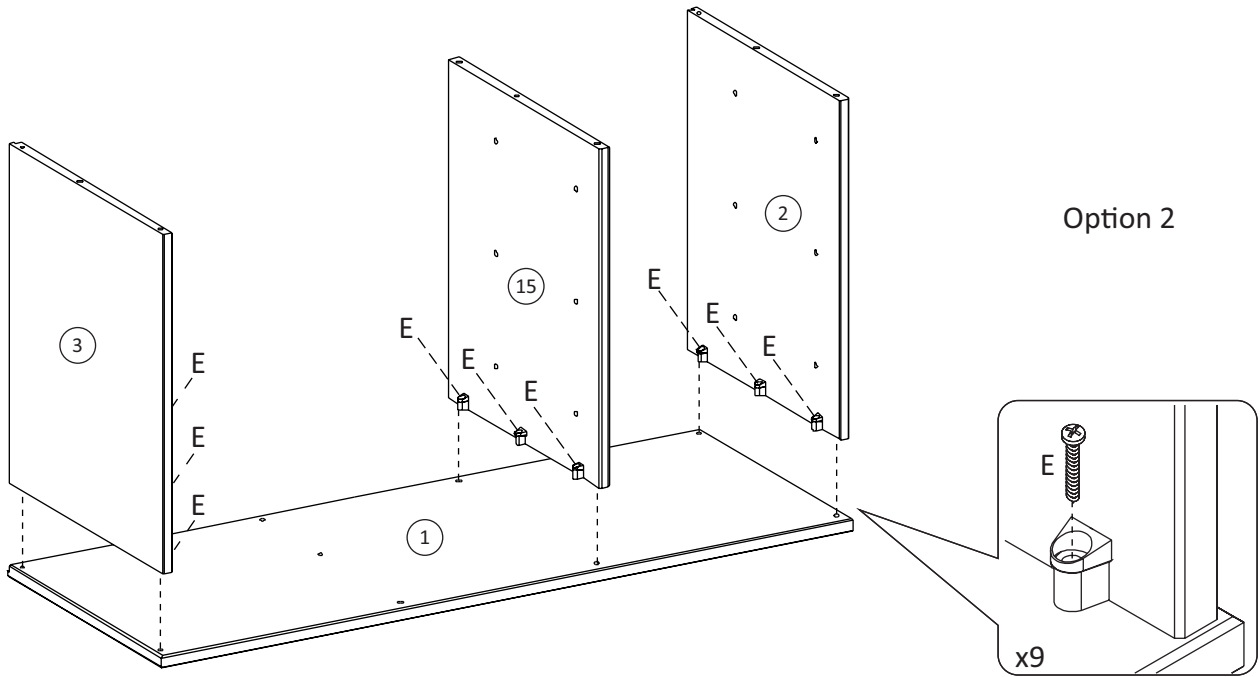


[2]

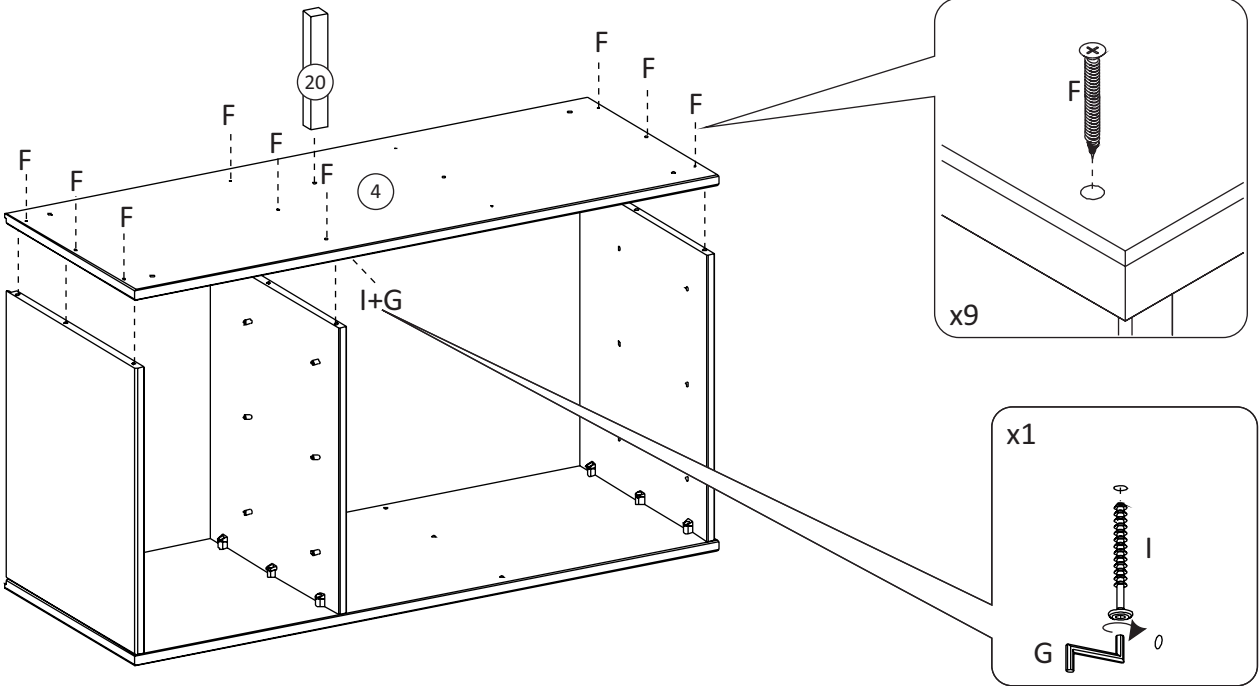
Option 1



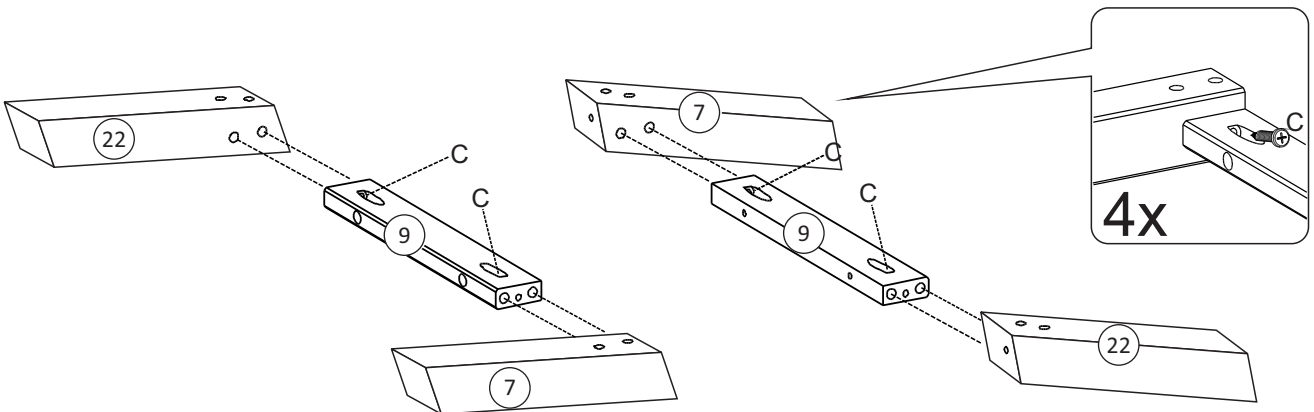
[3]



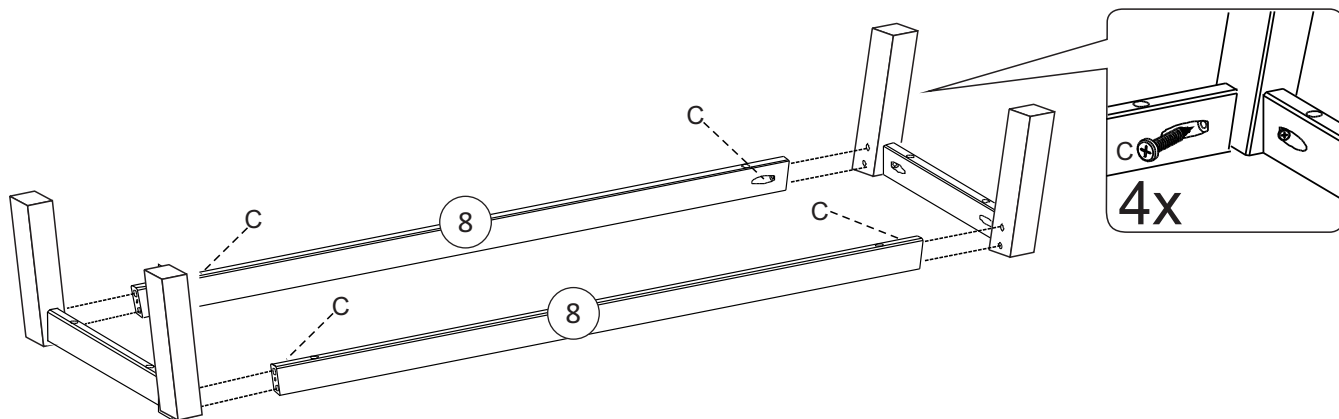
[4]



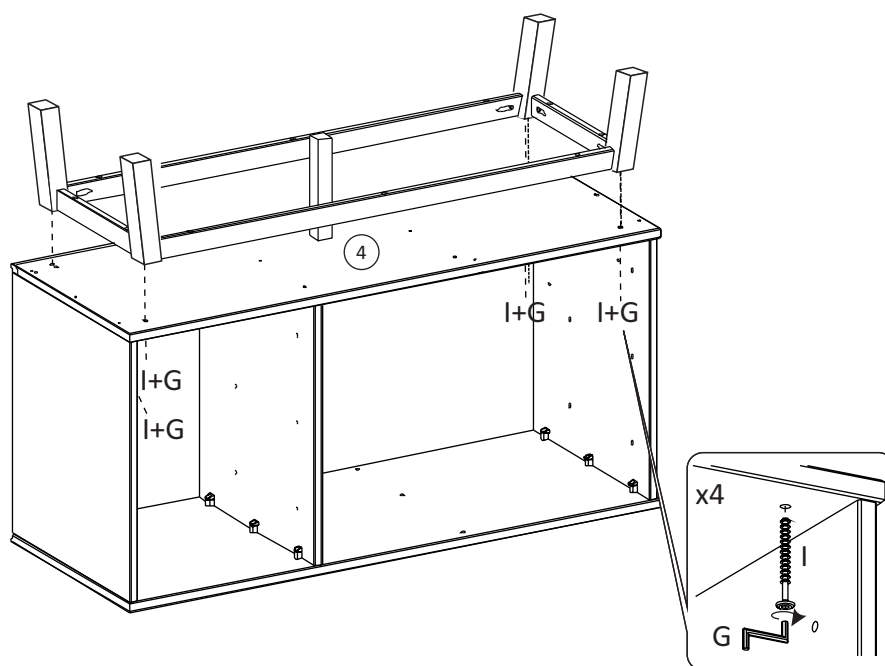
[5]



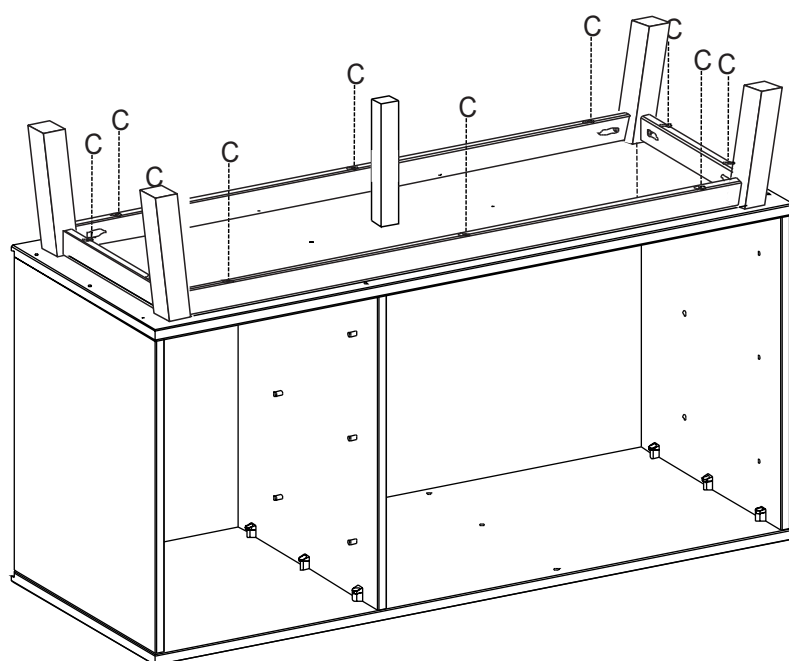
[6]



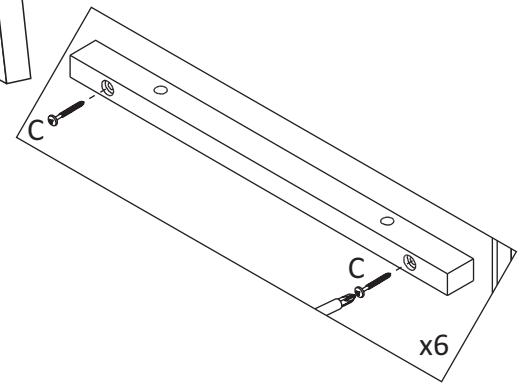
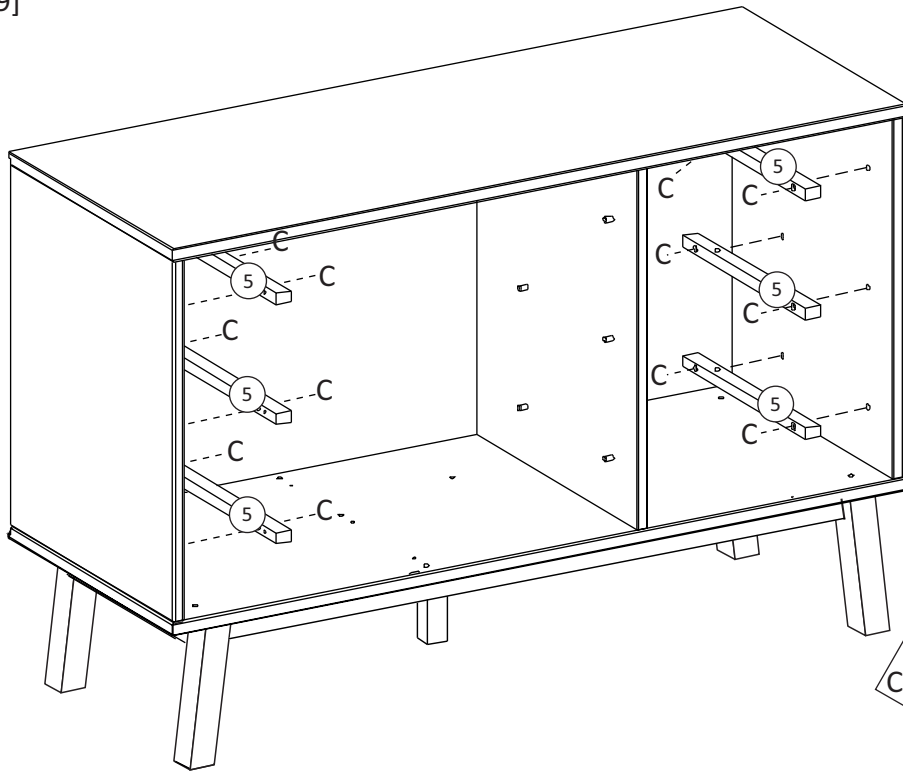
[7]



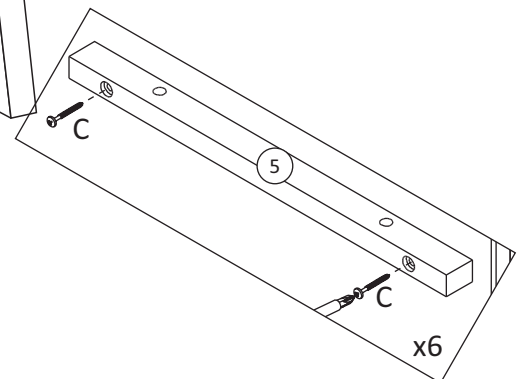
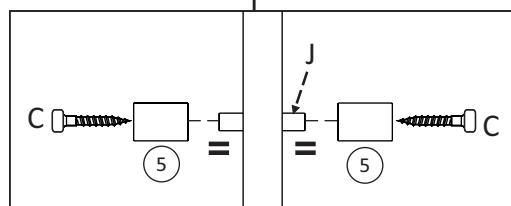
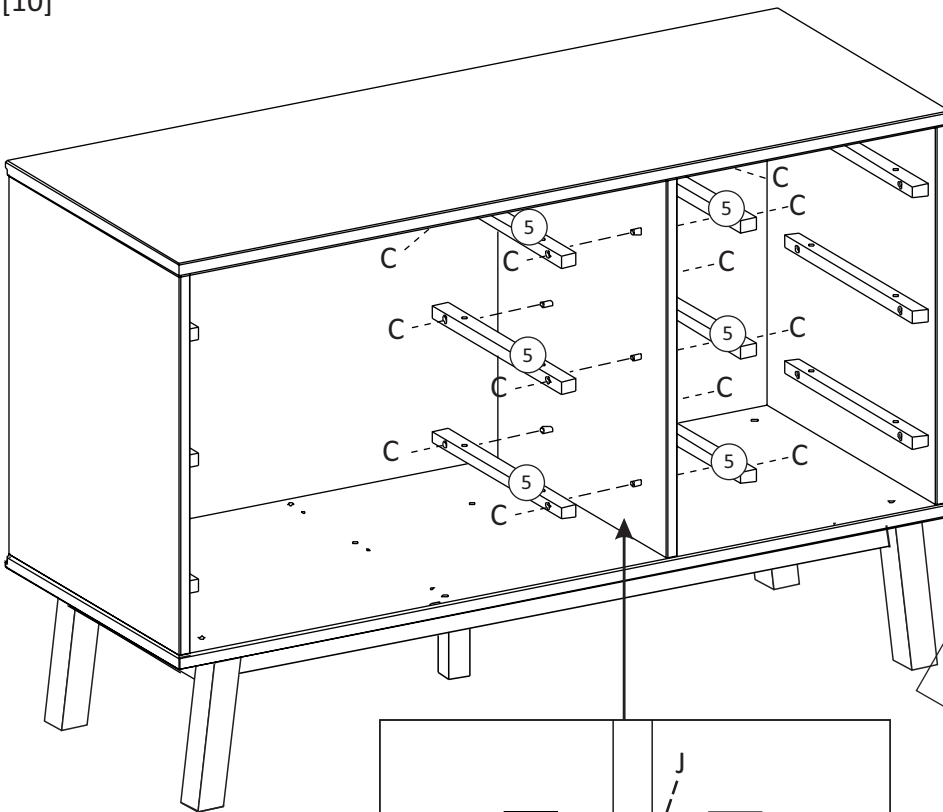
[8]



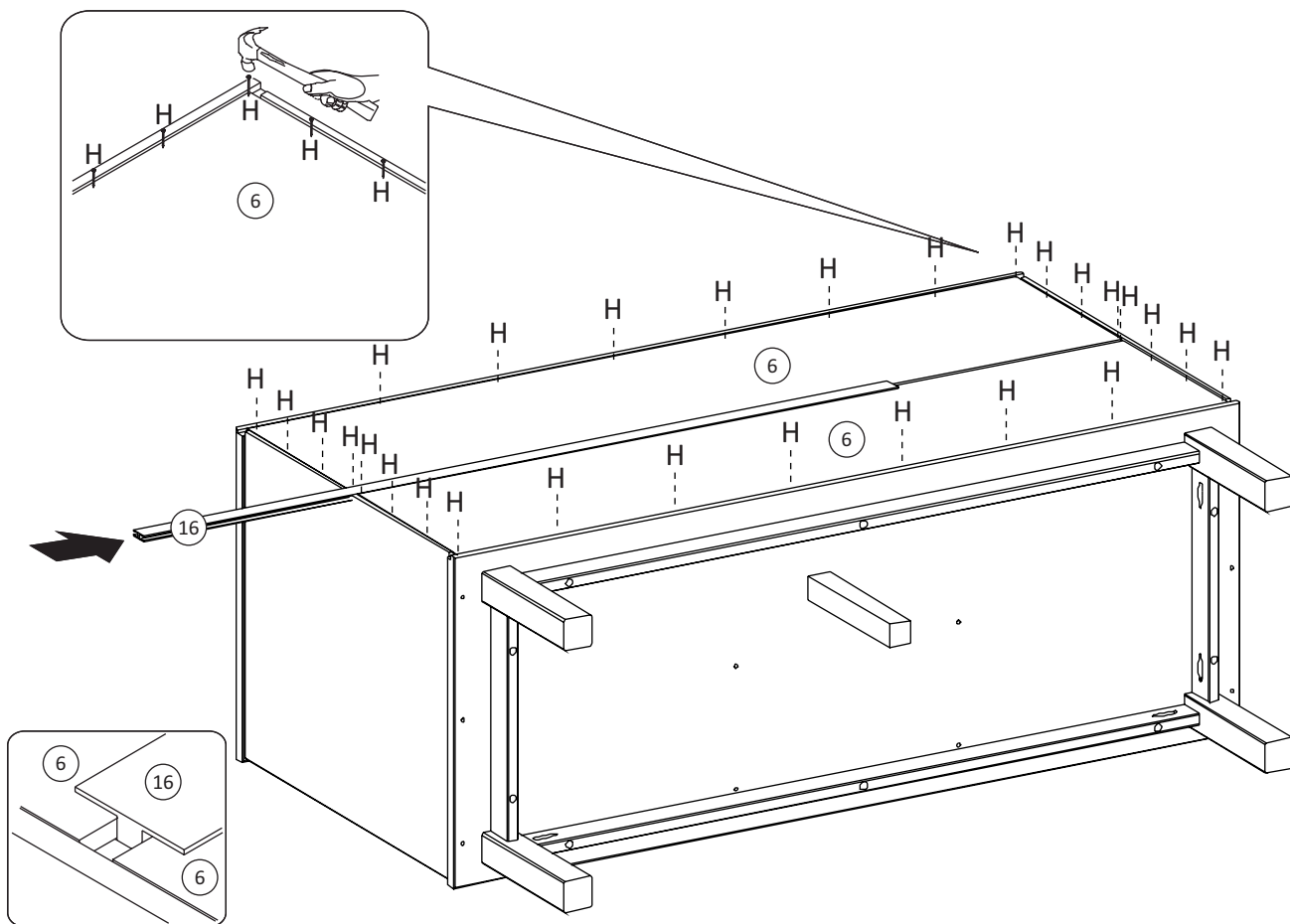
[9]



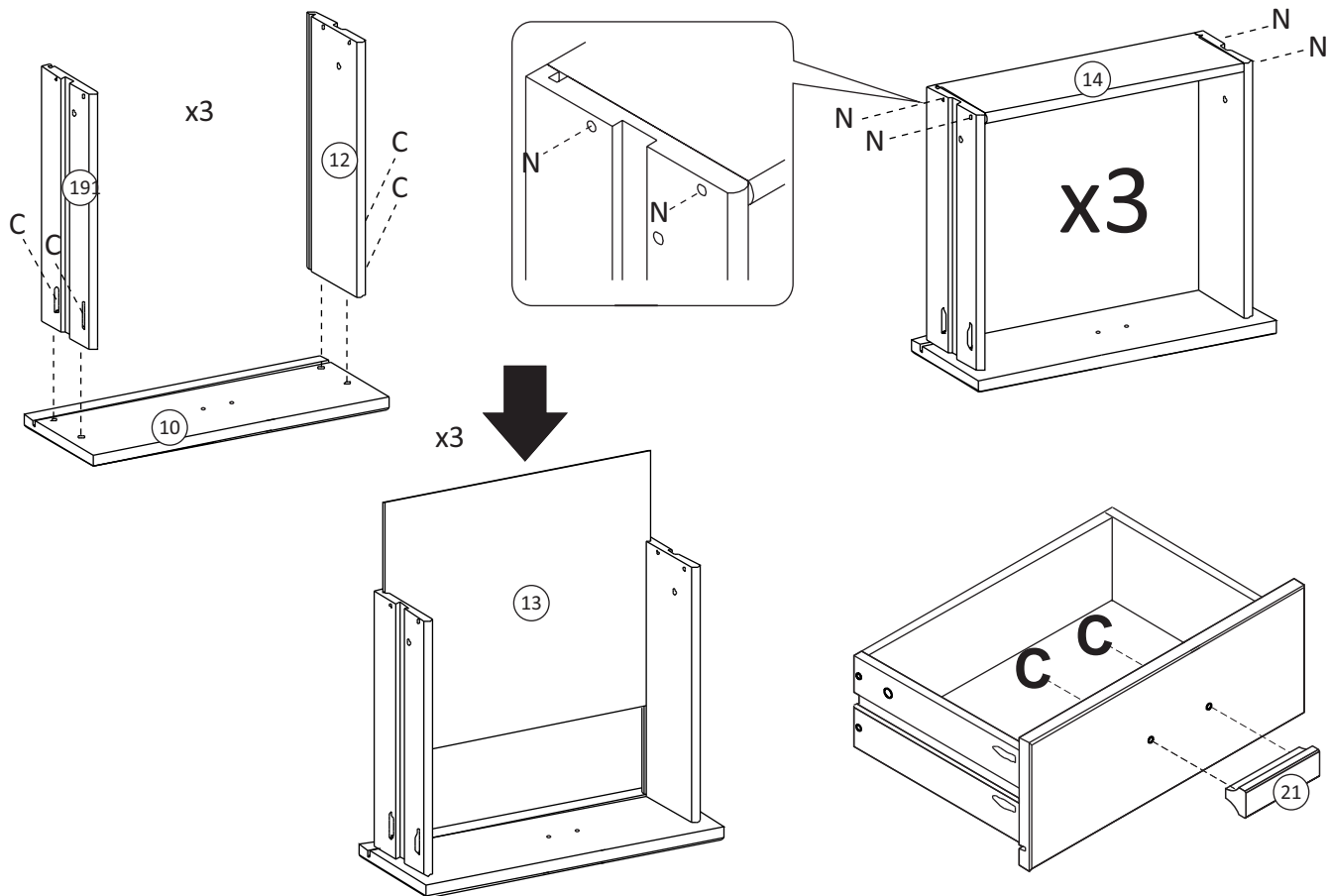
[10]



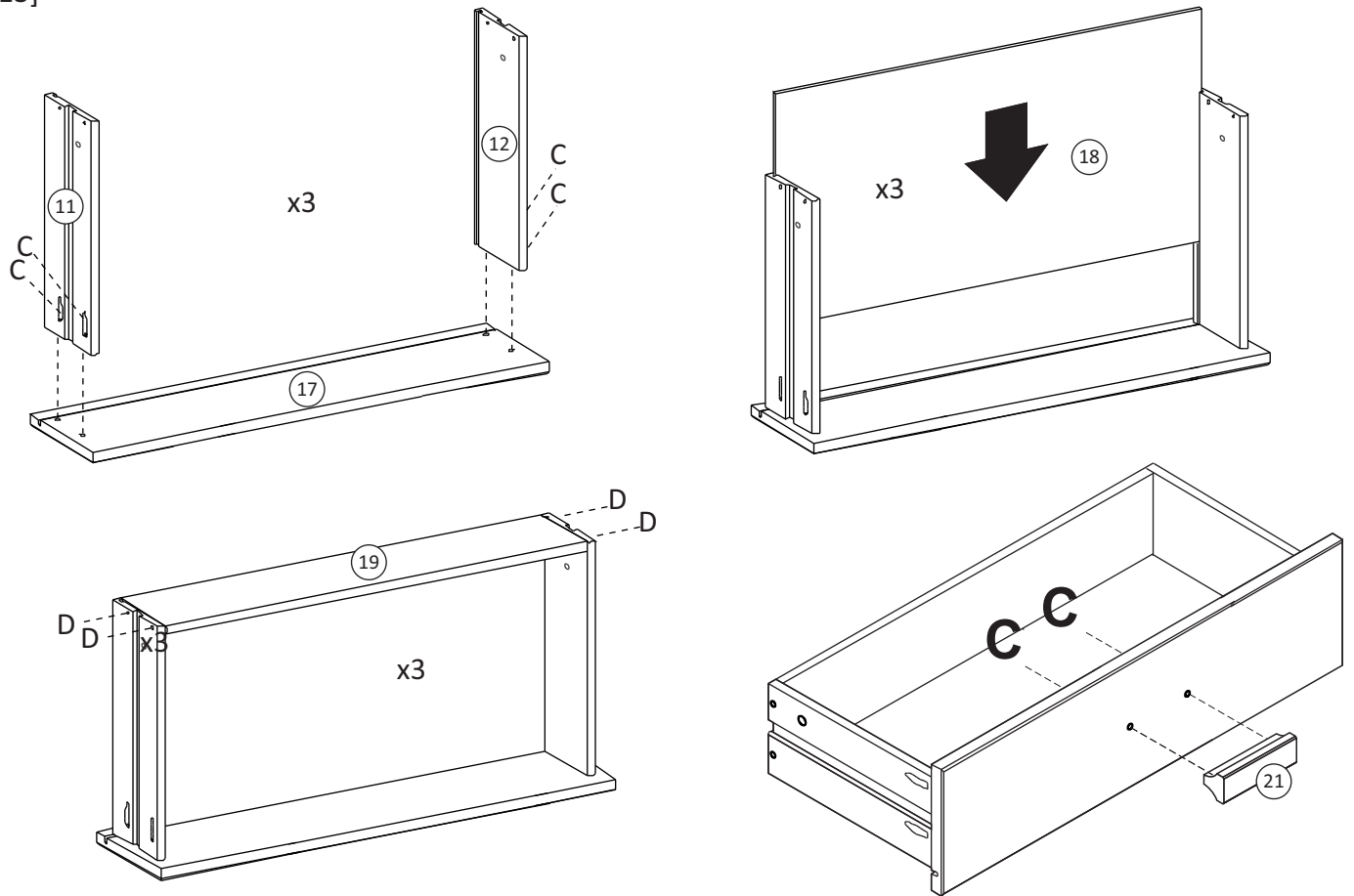
[11]



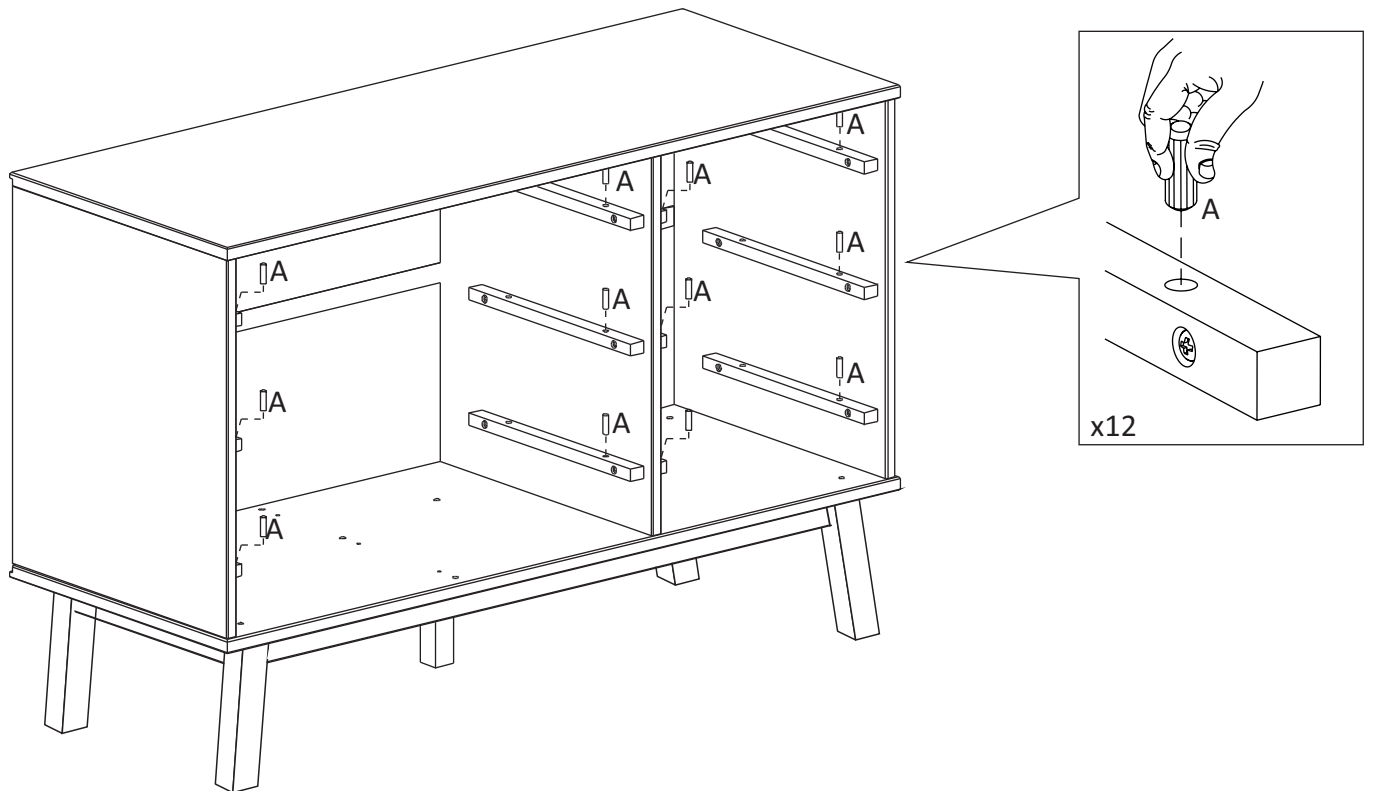
[12]



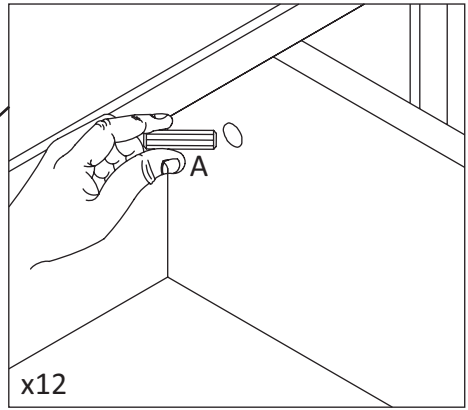
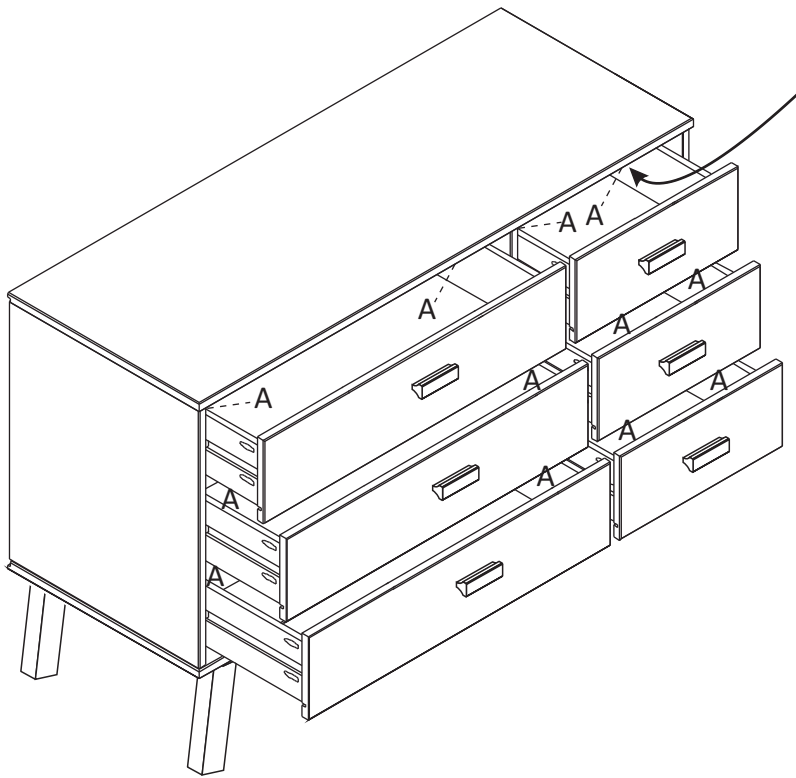
[13]



[14]



[15]



[16]

