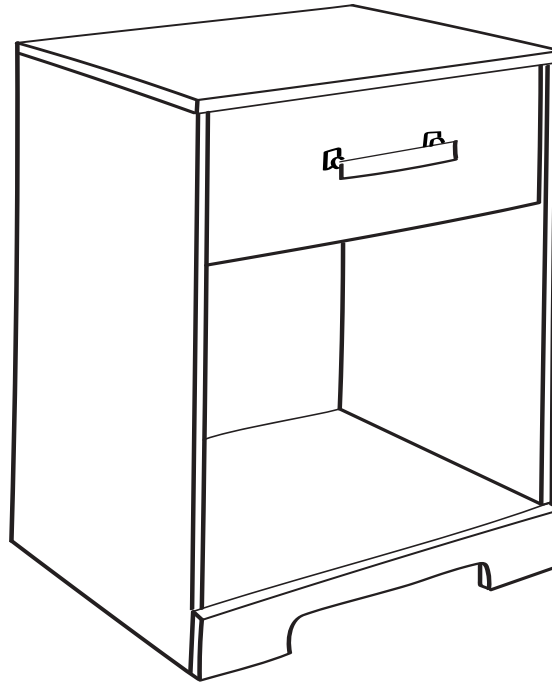


Assembly instructions for:

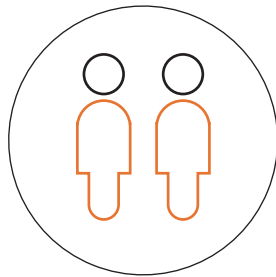
One drawer nightstand



HEADS UP



TIME



PEOPLE NEEDED

Pro Tip: Choose wisely.
Your sanity depends on it.



EFFORT SCALE
(you've got this)

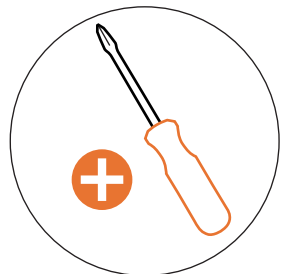


ANTI-TIP KIT

BUST OUT

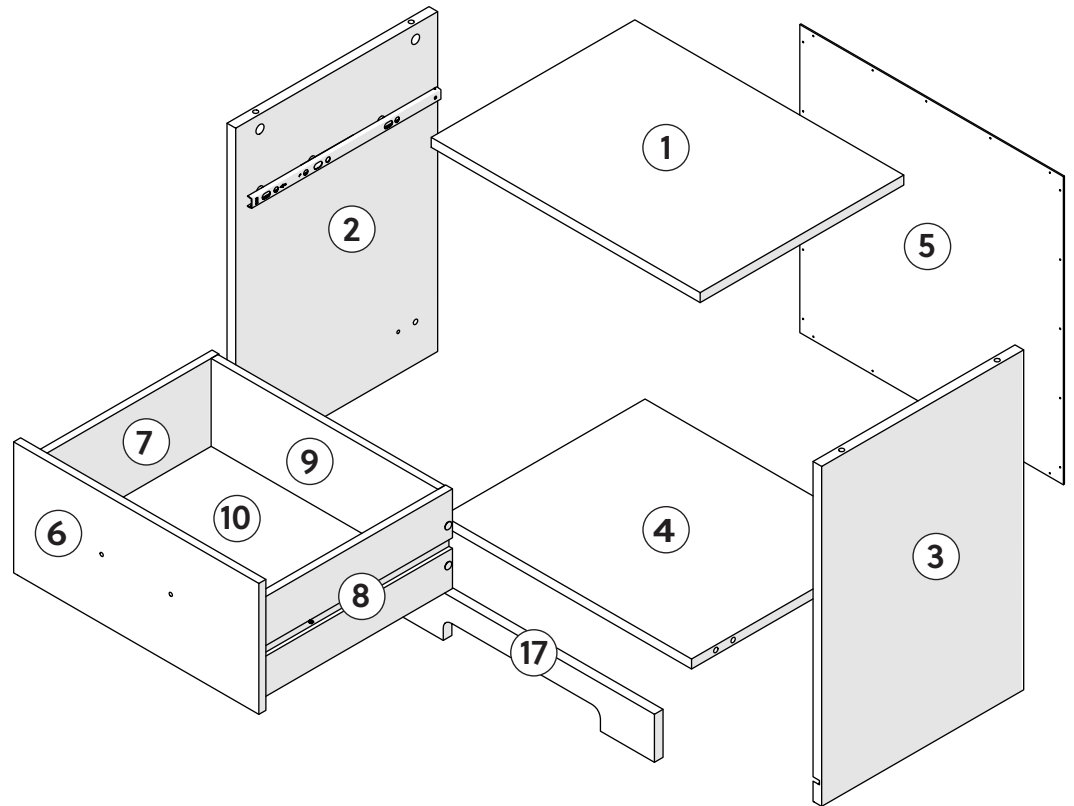


REQUIRED TOOL



REQUIRED TOOL

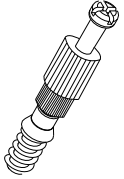
- ① TOP (1)
- ② LEFT SIDE (1)
- ③ RIGHT SIDE (1)
- ④ BOTTOM (1)
- ⑤ UNIT BACK (1)
- ⑥ DRAWER FRONT (1)
- ⑦ DRAWER LEFT SIDE (1)
- ⑧ DRAWER RIGHT SIDE (1)
- ⑨ DRAWER BACK (1)
- ⑩ DRAWER BOTTOM (1)
- ⑰ BASESTRIP (1)



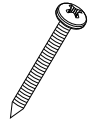
COMPONENTS

HARDWARE

H14x8



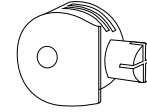
H21x20



H32x2



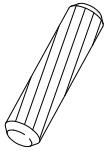
H39 x2



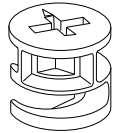
H58x2



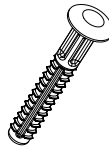
H56x4



H62x8



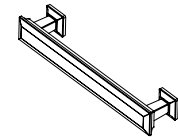
H68x4



H84x2



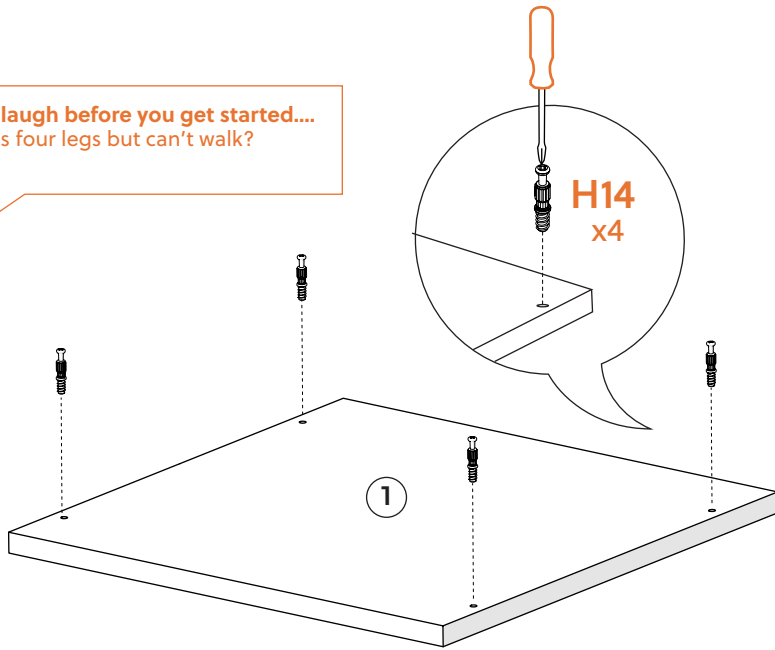
G34x1



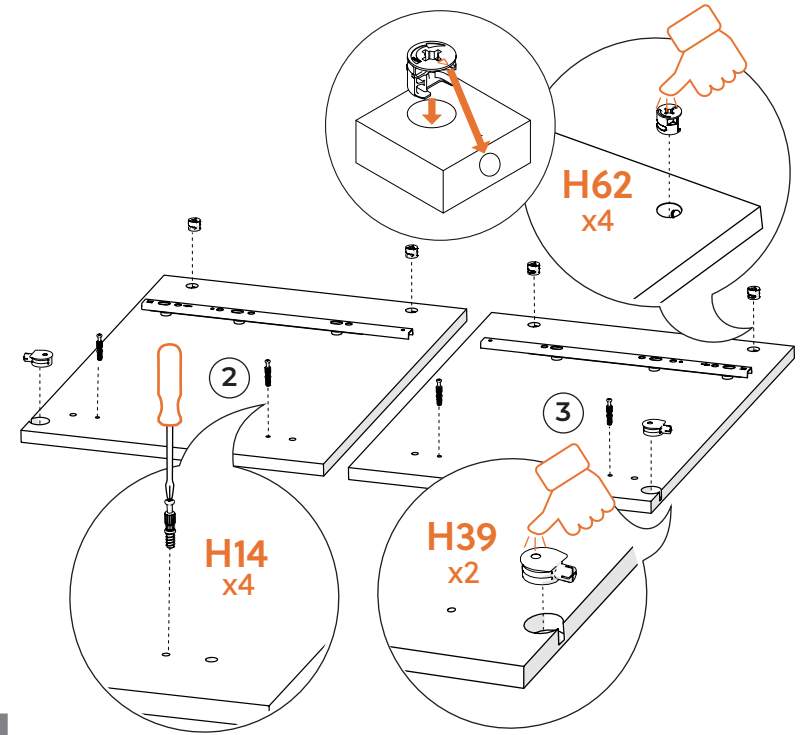
We pre-assembled these to the unit sides for you!
You're welcome.

A quick laugh before you get started...
What has four legs but can't walk?
A table.

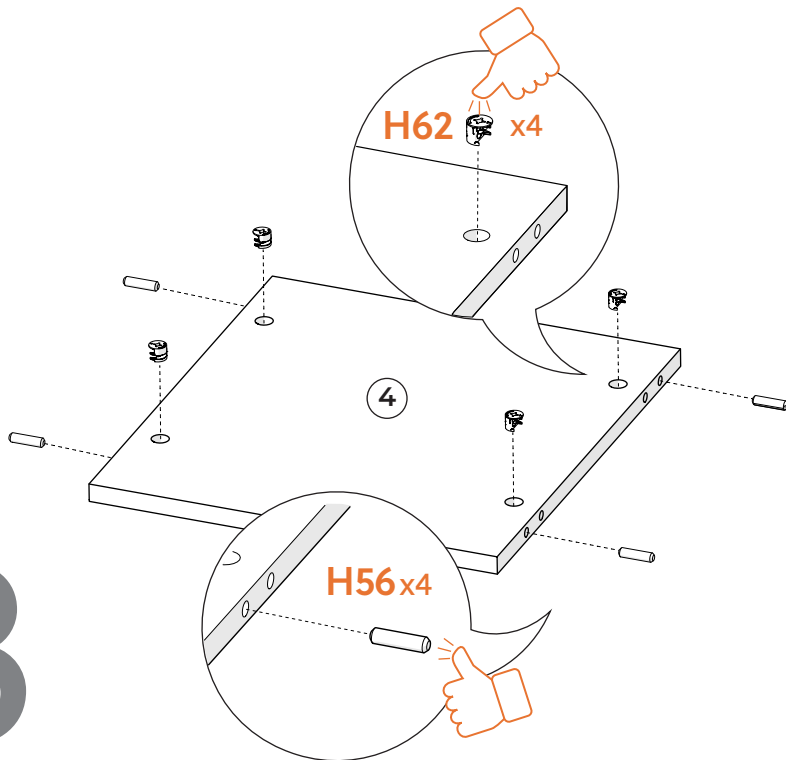
1



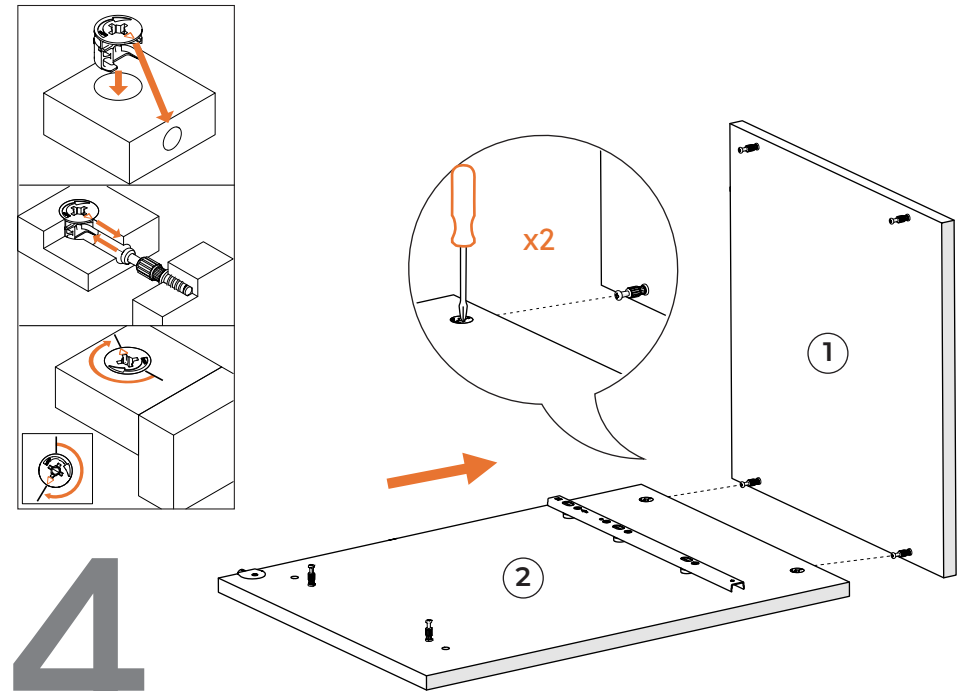
2



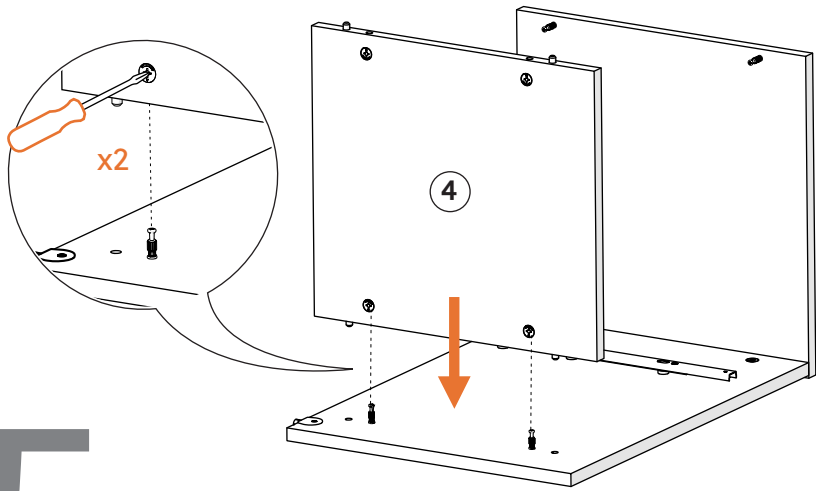
3



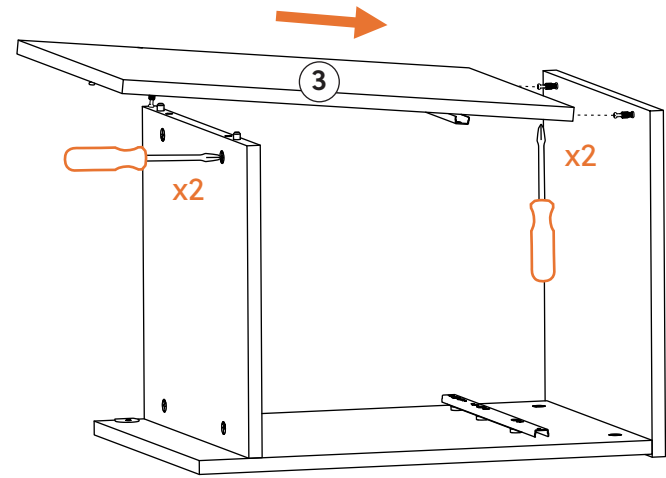
4



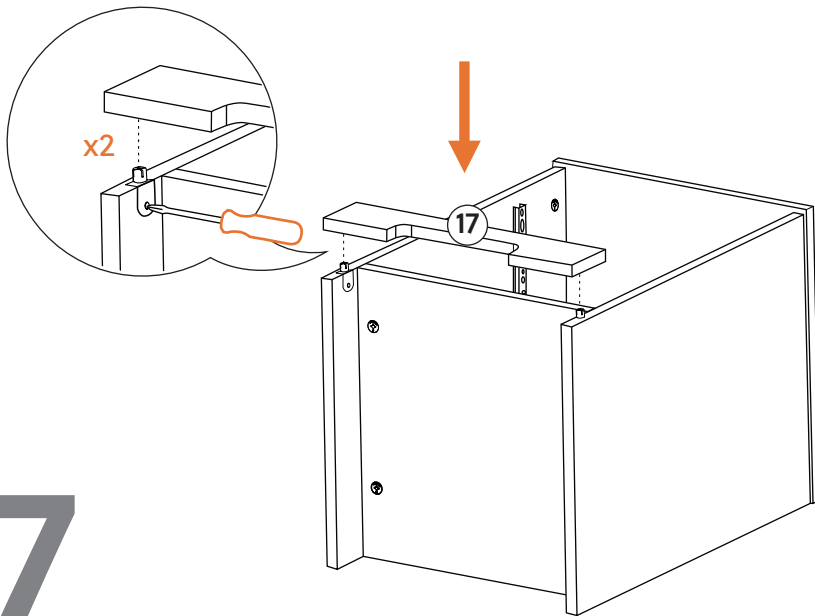
5



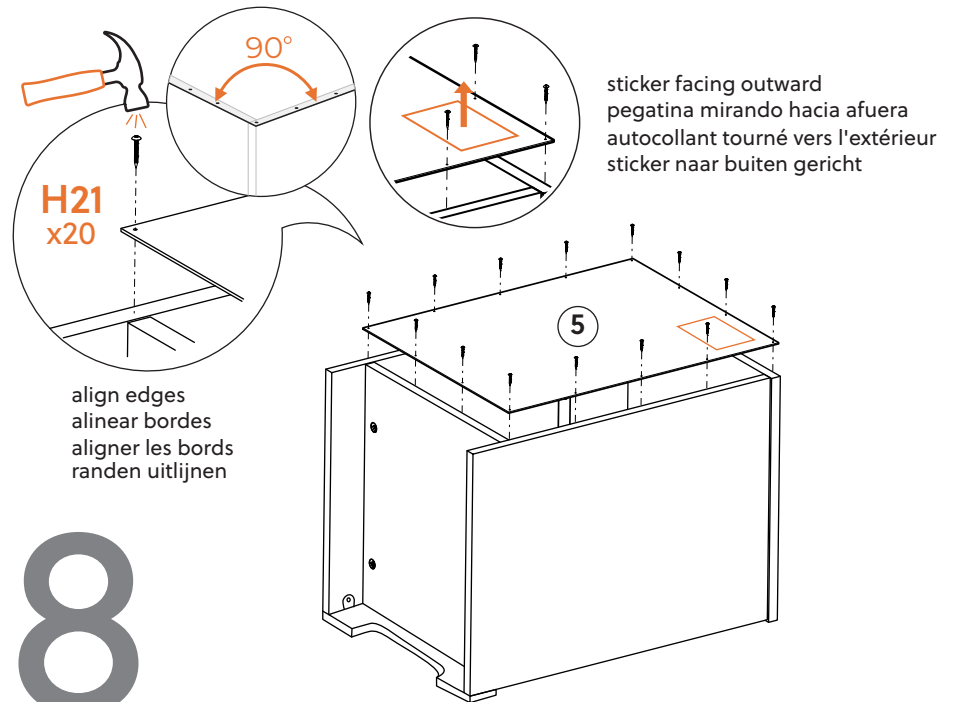
6

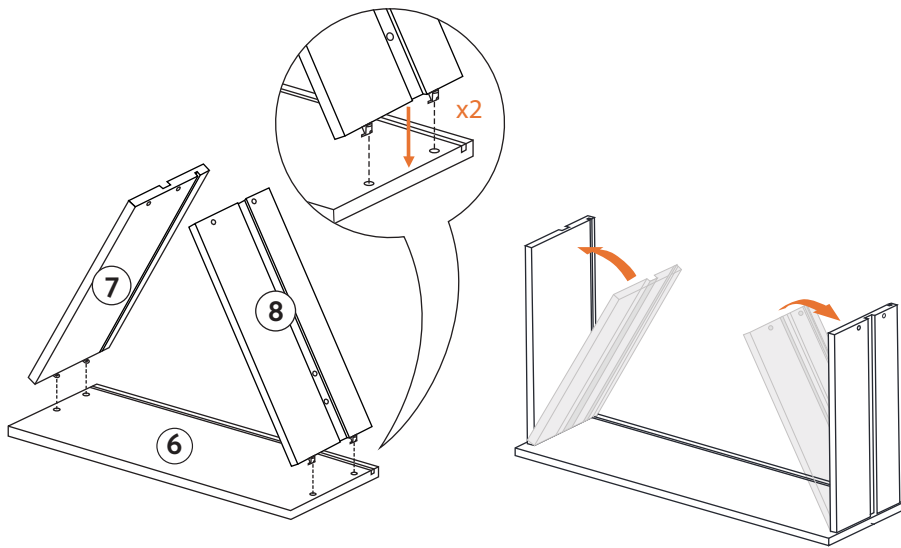


7

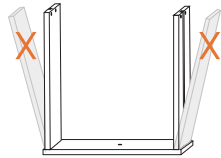


8



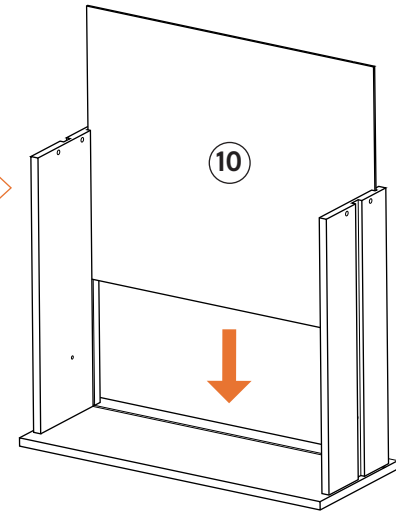


9

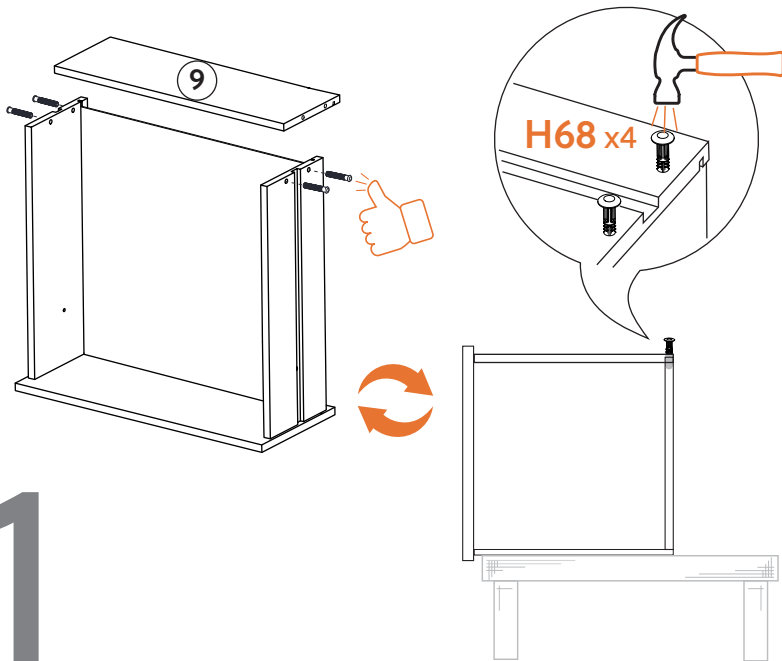


Do Not Overextend, risk of Damage!
 No sobreextender, riesgo de daños!
 Ne pas prolonger, risque de dommages!
 Overbelast niet, risico op schade!

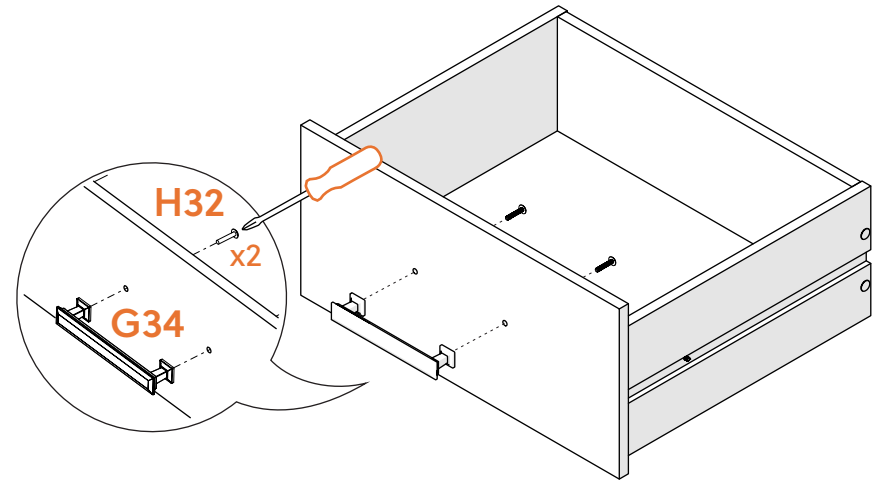
Side Step: Getting hangry?
 Try adding some nachos
 to this step.



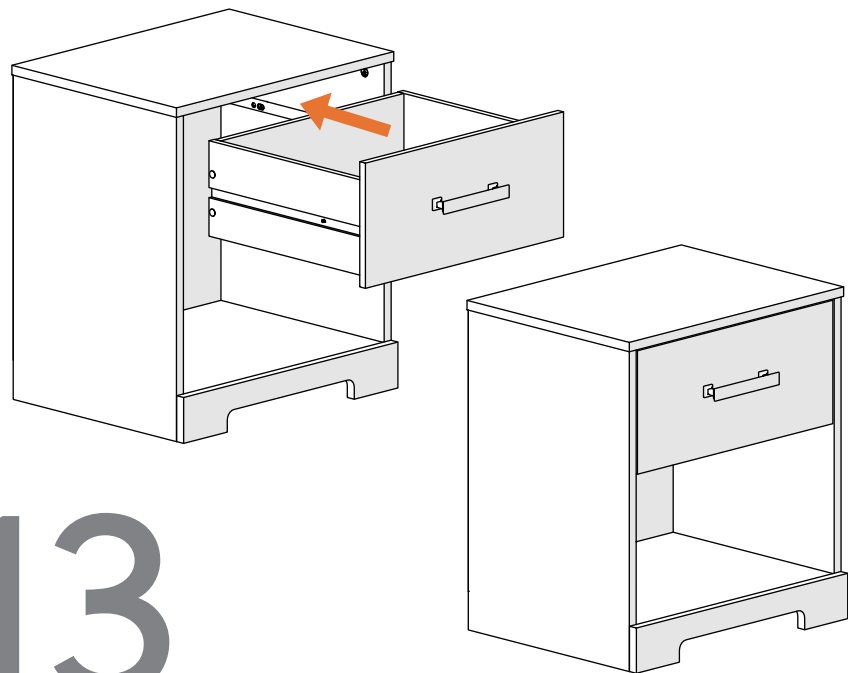
10



11

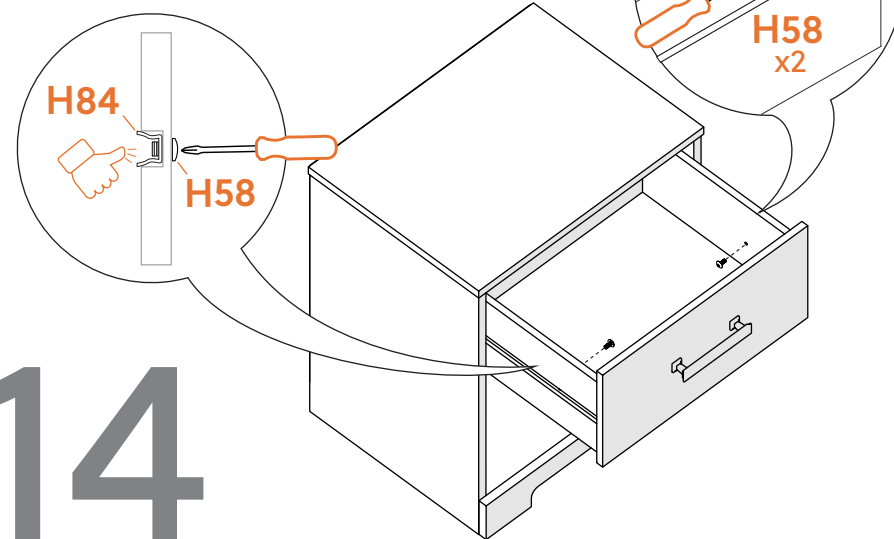


12



13

Apply pressure to glide for screw to engage.
Aplique presión para deslizar el tornillo para que encaje.
Appliquez une pression pour glisser pour que la vis s'engage.
Oefen druk uit om te glijden om de schroef vast te zetten.



14

