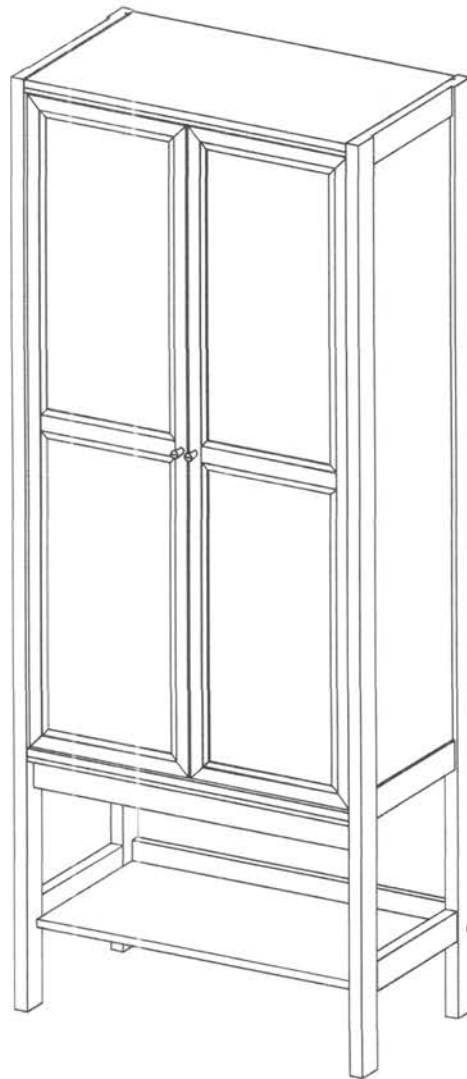


ASSEMBLY INSTRUCTIONS

EEI-6620

V1.10.10.23



Questions? Contact us!

609.256.9000 • cs@modway.com
www.modway.com

***modway**

Let's get started!

*modway



Read through all of the instructions before starting



Care instructions are listed in the last step of this manual



Approx. 60 minutes assembly time



Make sure you have all parts and components before discarding any packing materials



2 people recommended for assembly

Only use hand tools to assemble this item. Do not use power tools. Do not tighten bolts or screws completely until all hardware is lined up and inserted into the holes.

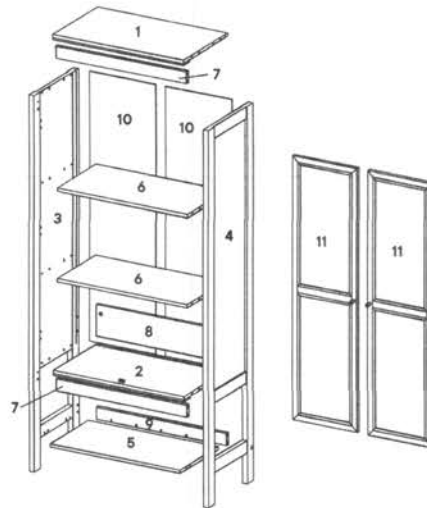
Do not over-tighten screws and bolts to avoid stripping the hardware or cracking the item.

Assemble your item on a flat, carpeted area, with plenty of space to work. This will prevent damage and scratches to your floors or the item while you're assembling the product.

Keep all components and packaging out of reach of children or animals to avoid risk of choking or suffocation.

Furniture components:

1	Top Board	x1	11	Door	x2
2	Middle Board	x1			
3	Left Board	x1			
4	Right Board	x1			
5	Bottom Board	x1			
6	Fix Shelf	x2			
7	Front Support	x2			
8	Rear Board	x1			
9	Bottom Support	x1			
10	Backboard	x2			



Provided hardware:

A		Cam Lock Ø15 mm	x28	I		Screw M4 x 19 mm	x14	Q		Wall Bracket Set	x1
B		Cam Bolt Ø7.5 x 32 mm	x28	J		Door Stopper	x1	R		Cam Cap Ø17 mm	x2
C		Cam Cover Ø17 mm	x28	K		H-Profile	x1				
D		Plastic Dowel M8 x 32 mm	x36	L		Door Hinge	x6				
E		Screw M10 x 33.5 mm	x5	M		Screw M4 x 10 mm	x12				
F		Handle	x2	N		Barrel Nut	x2				
G		Pan Head Screw M4 x 25 mm	x2	O		JCBC M6 x 60 mm	x2				
H		Backply Stopper	x14	P		Allen Key	x1				

What you need:

Phillips Head Screwdriver

Wait!

Missing parts or hardware? Need assistance?
Contact us before returning your item. We're here to help!
609.256.9000 • cs@modway.com

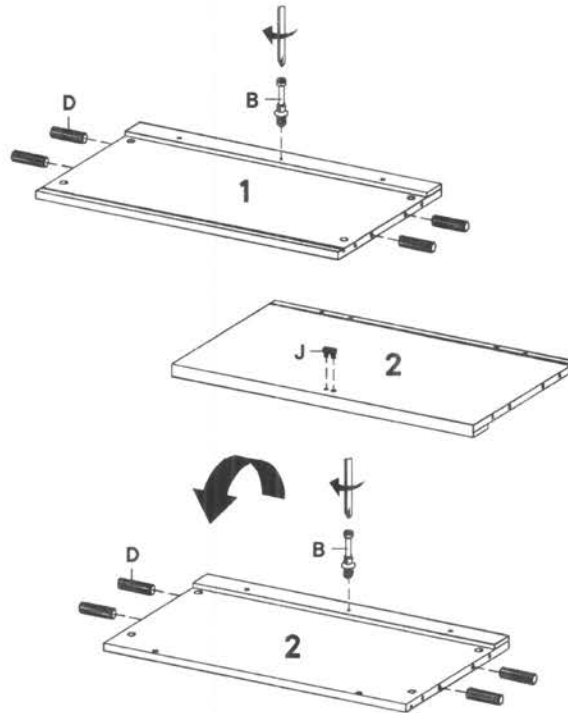
Step 1

HARDWARE

B	Cam Bolt $\varnothing 7.5 \times 32$ mm	x2
D	Plastic Dowel M8 x 32 mm	x8
J	Door Stopper	x1

COMPONENTS

1	Top Board	x1
2	Middle Board	x1



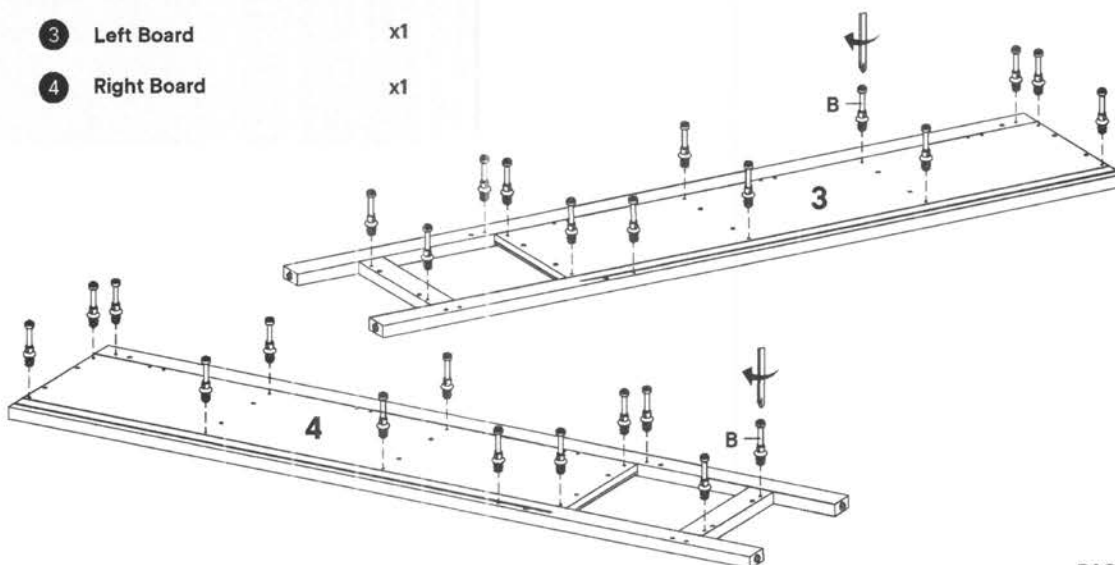
Step 2

HARDWARE

B	Cam Bolt $\varnothing 7.5 \times 32$ mm	x26
----------	---	-----

COMPONENTS

3	Left Board	x1
4	Right Board	x1



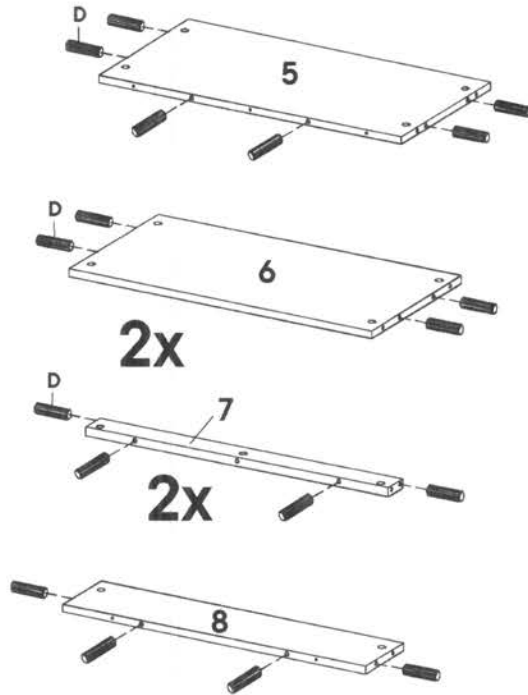
Step 3

HARDWARE

- D** Plastic Dowel M8 x 32 mm x28

COMPONENTS

- 5** Bottom Board x1
6 Fix Shelf x2
7 Front Support x2
8 Rear Board x1
9 Bottom Support x1



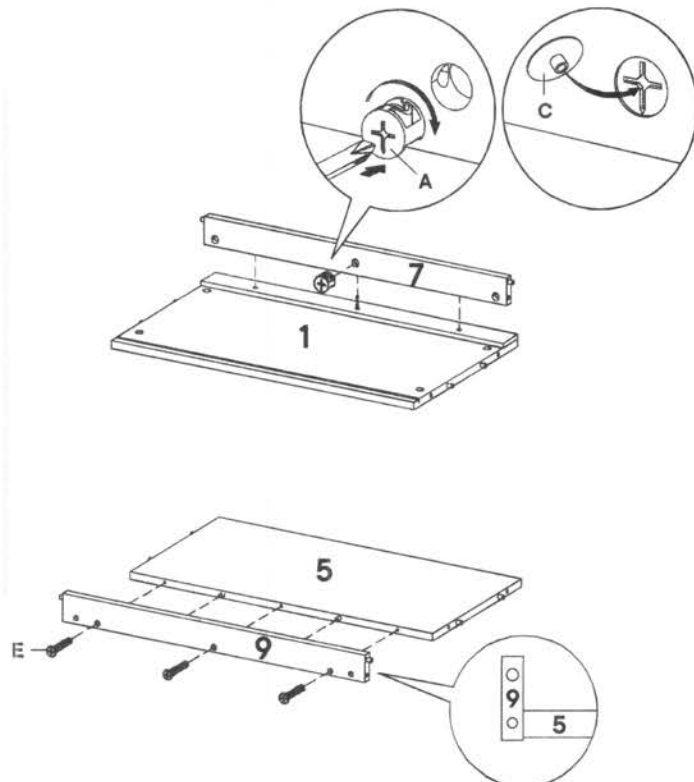
Step 4

HARDWARE

- A** Cam Lock Ø15 mm x1
C Cam Cover Ø17 mm x1
E Screw M10 x 33.5 mm x3

COMPONENTS

- 1** Top Board x1
5 Bottom Board x1
7 Front Support x1
9 Bottom Support x1



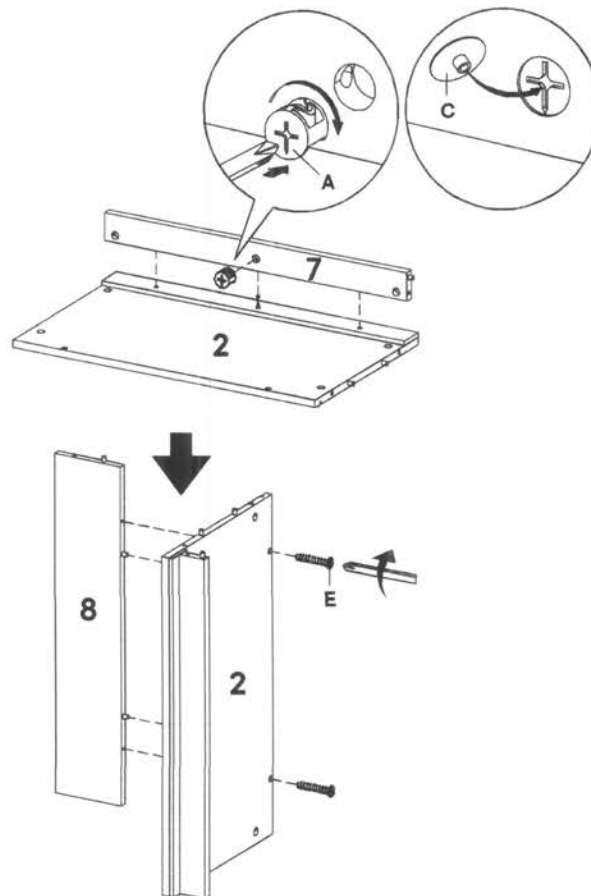
Step 5

HARDWARE

A	Cam Lock Ø15 mm	x1
C	Cam Cover Ø17 mm	x1
E	Screw M10 x 33.5 mm	x2

COMPONENTS

2	Middle Board	x1
7	Front Support	x1
8	Rear Board	x1



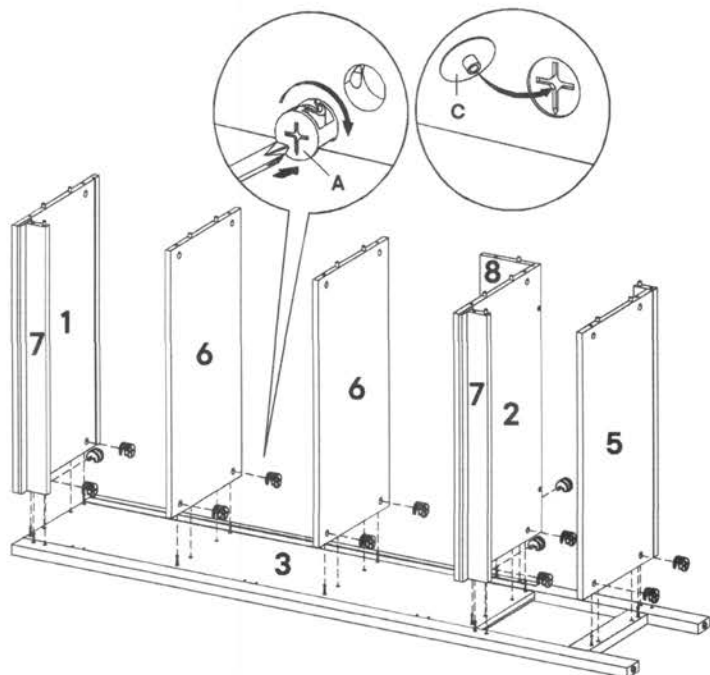
Step 6

HARDWARE

A	Cam Lock Ø15 mm	x13
C	Cam Cover Ø17 mm	x13

COMPONENTS

1	Top Board	x1
2	Middle Board	x1
3	Left Board	x1
5	Bottom Board	x1
6	Fix Shelf	x2
7	Front Support	x2
8	Rear Board	x1
9	Bottom Support	x1



Step 7

HARDWARE

K H-Profile x1

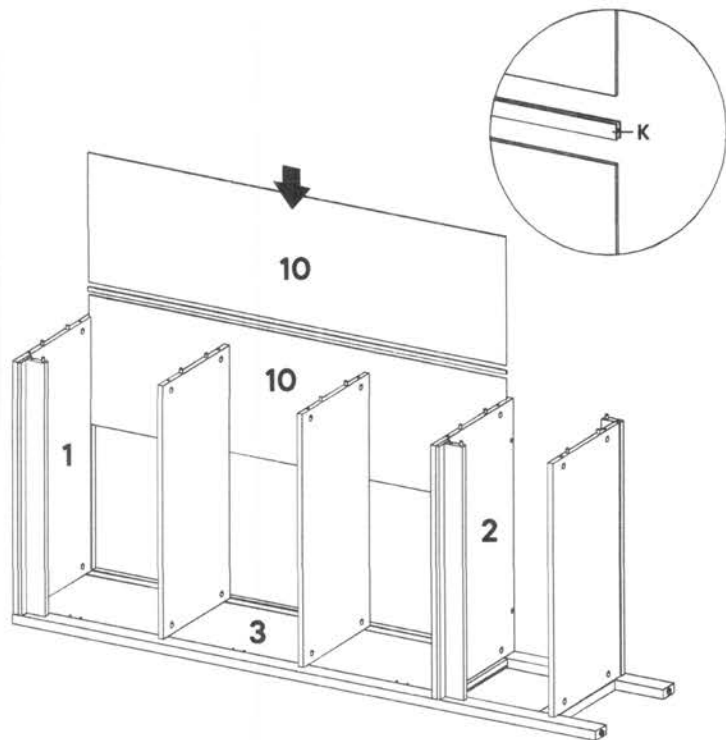
COMPONENTS

1 Top Board x1

2 Middle Board x1

3 Left Board x1

10 Backboard x2



Step 8

HARDWARE

A Cam Lock Ø15 mm x13

C Cam Cover Ø17 mm x13

COMPONENTS

2 Middle Board x1

4 Right Board x1

5 Bottom Board x1

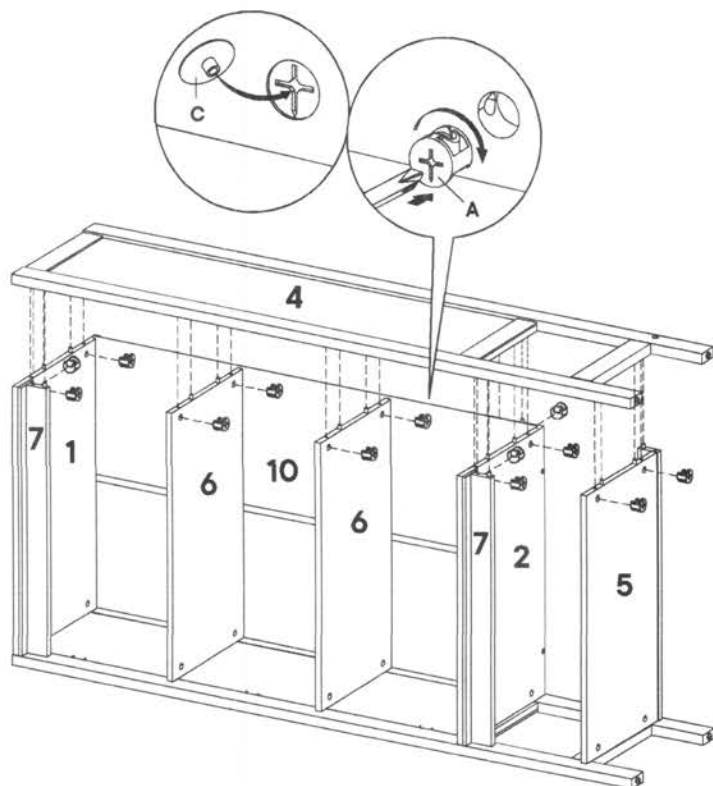
6 Fix Shelf x2

7 Front Support x2

8 Rear Board x1

9 Bottom Support x1

10 Backboard x1



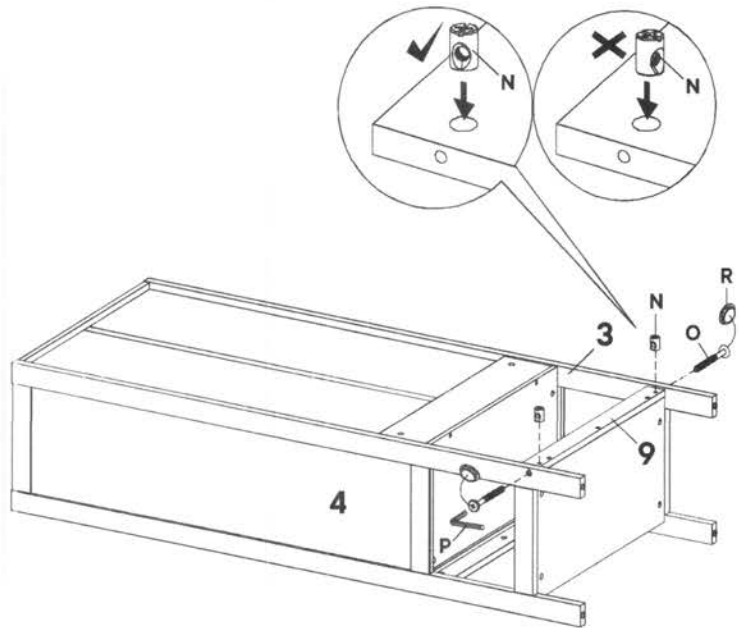
Step 9

HARDWARE

N	Barrel Nut	x2
O	JCBC M6 x 60 mm	x2
P	Allen Key	x1
R	Cam Cap Ø17 mm	x2

COMPONENTS

3	Left Board	x1
4	Right Board	x1
9	Bottom Support	x1



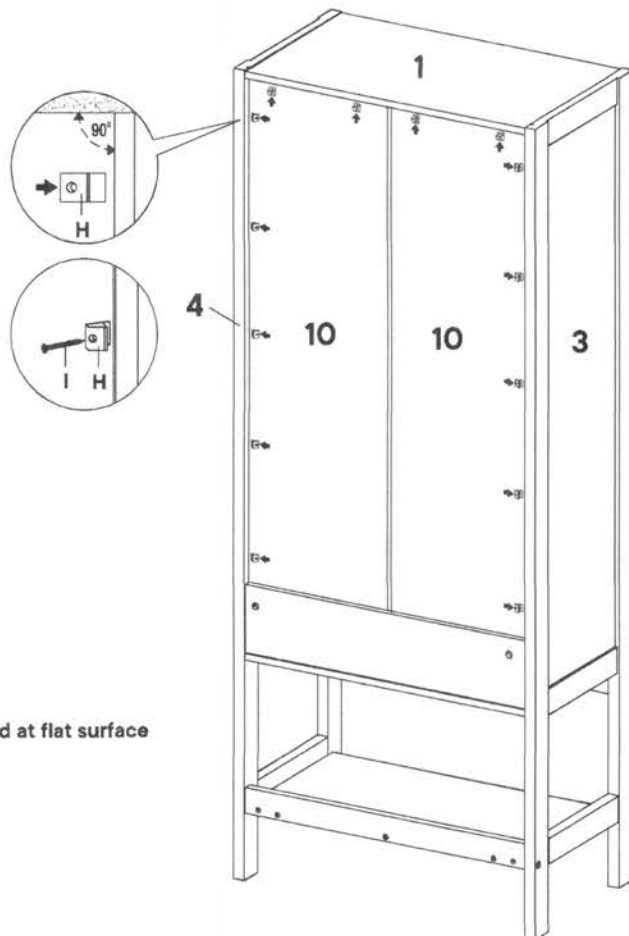
Step 10

HARDWARE

H	Backply Stopper	x14
I	Screw M4 x 19 mm	x14

COMPONENTS

1	Top Board	x1
3	Left Board	x1
4	Right Board	x1
10	Backboard	x2



Backboard installed at flat surface

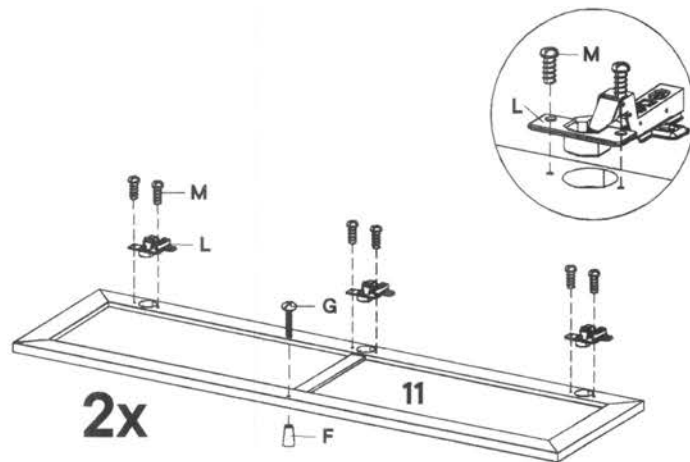
Step 11

HARDWARE

F	Handle	x2
G	Screw M4 x 25 mm	x2
L	Door Hinge	x6
M	Pan Head Screw M4 x 10 mm	x12

COMPONENTS

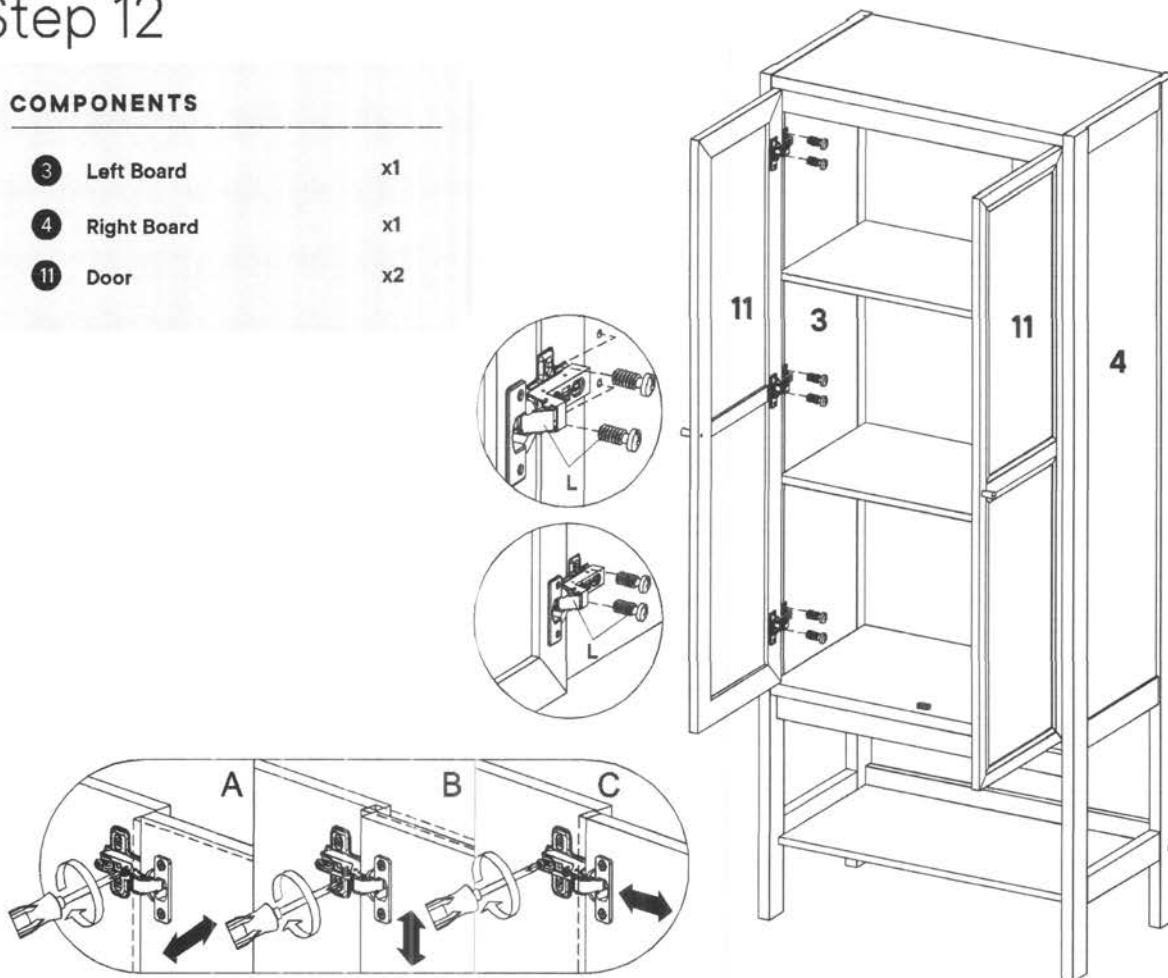
11	Door	x2
-----------	------	----



Step 12

COMPONENTS

3	Left Board	x1
4	Right Board	x1
11	Door	x2



Great job!

Standing Cabinet assembly is complete.

♥ CARING FOR YOUR ITEM

Indoor use only.

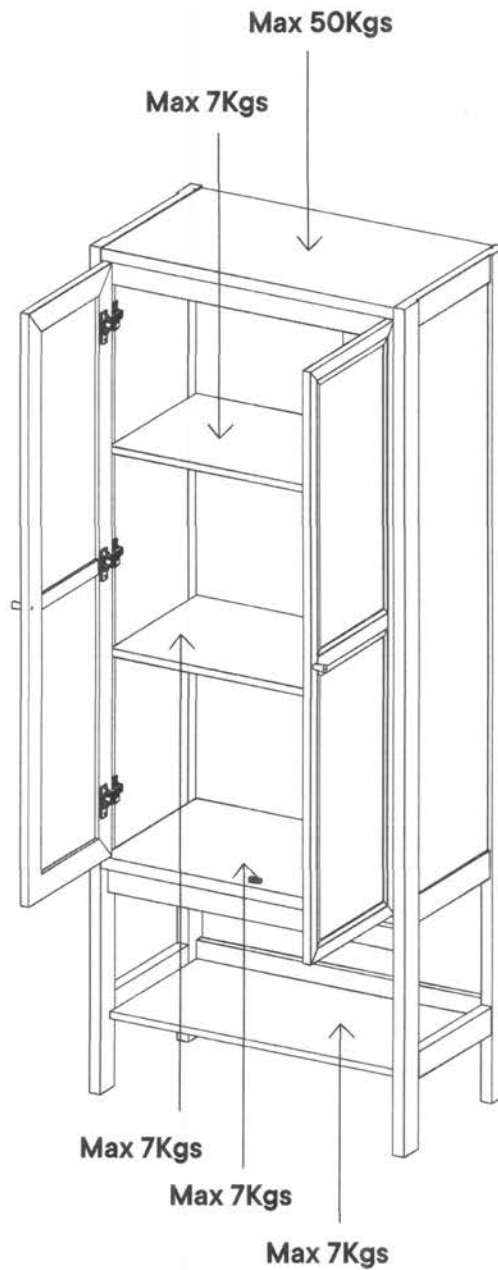
Not contract grade.

Clean using a non-abrasive cloth and a mild cleaner.

Never use harsh chemicals, as they could damage the finish or integrity of the item.

CONNECT WITH US!

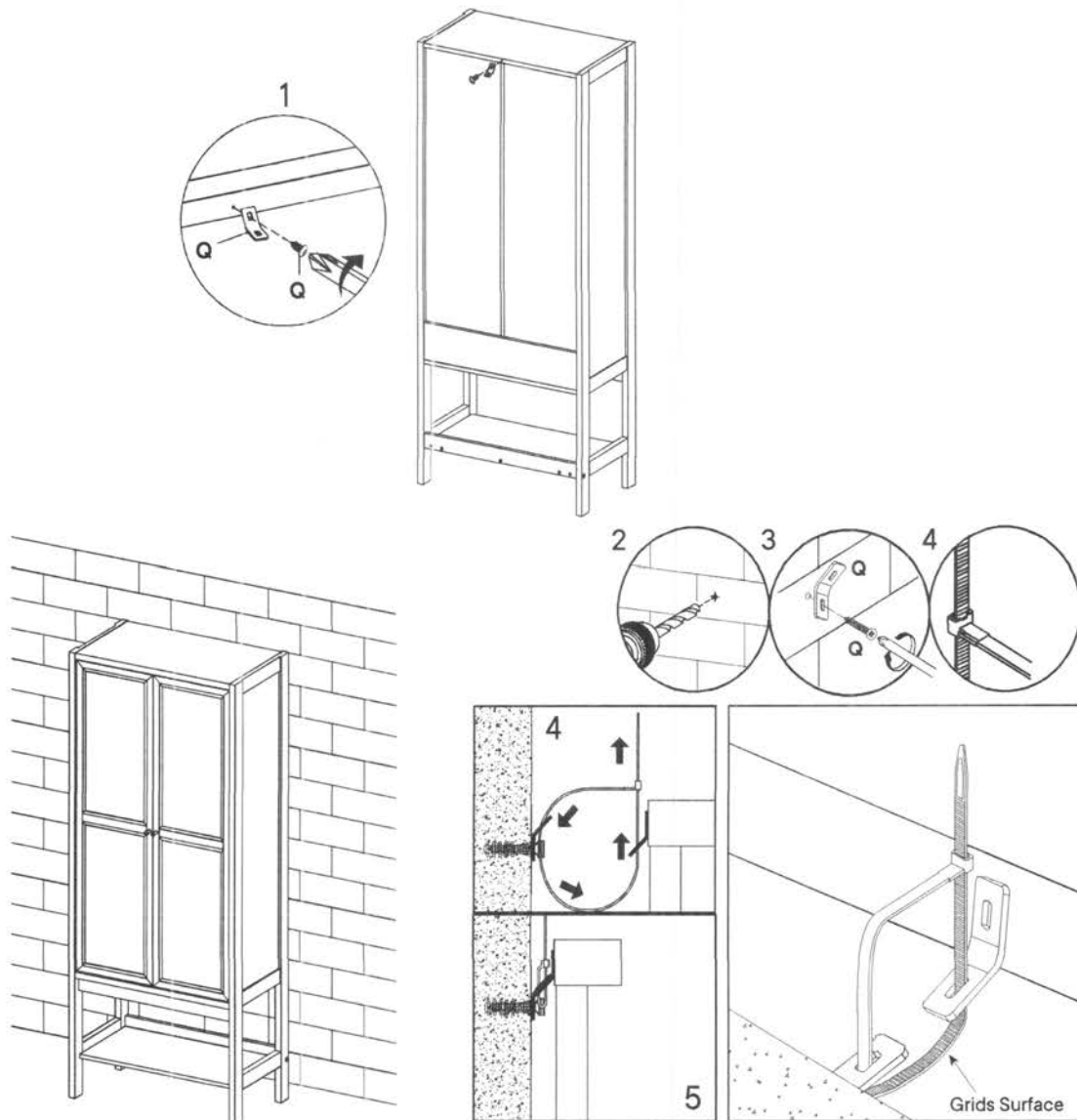
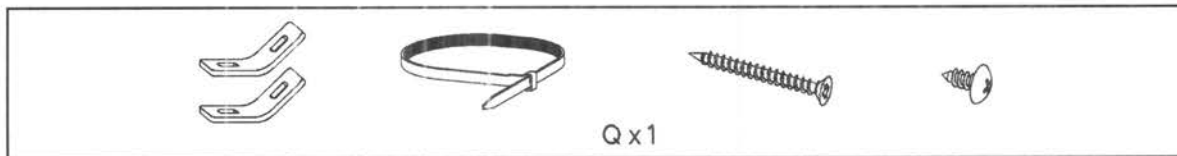
Tag us [@modway_furniture](#) and [#modway](#) for a chance to be featured.



TIPPING RESTRAINTS KIT INSTALLATION GUIDANCE

Different wall materials require unique wall fasteners.

Please consult your local hardware store to ensure you are using the correct hardware for you wall type.



Installation Instructions :

1. Attach bracket (Q) securely to the back top of the furniture using short screw (Q) provided.
2. Please make a hole on the wall for attach the bracket (Q) to the back of unit.
3. Attach bracket (Q) on the wall using long screw (Q) as shown.
Locate the other bracket (Q) on the wall. Place furniture into position so both brackets (Q) as shown.
4. Lace the end of the restrains strap through the larger hole in each bracket. Ensure the restrains strap with grids surface facing the inner loops. Bring both ends together and slide the flat end through the locking end and draw it through until all slack is removed.
5. Make sure that the strap is securely laced & locked.